

# Mudr 1 In-Wall Channel



The MUDR 1 Channel is purpose-built for seamless integration of LED lighting into walls and ceilings, specifically designed for compatibility with 5/8-inch drywall. Engineered for a clean, modern finish, it delivers consistent, pure white illumination from edge to edge—completely free of dark spots—for a smooth, uninterrupted glow.

- Available linking system for both straight runs, and 90-degree corners
- Mitre cuts are available through Alloy LED customization program

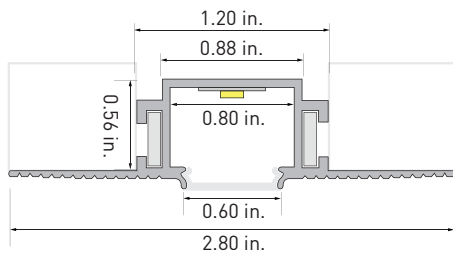


## PRODUCT INFORMATION

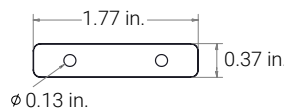
Item Number	Description
AL-50-29-0111-AL-KIT	Mudr 1 In-Wall - 4 ft. Channel Kit: 1 Aluminum Channel and 1 Frosted Diffuser Cover
AL-50-29-0115-AL-KIT	Mudr 1 In-Wall - 7 ft. Channel Kit: 1 Aluminum Channel and 1 Frosted Diffuser Cover
AL-50-29-9992-AL	Mudr 1 In-Wall - Straight Connecting Bracket - 2-Pack
AL-50-29-9993-AL	Mudr 1 In-Wall - L Bracket for Mitred Corners - 2-Pack
AL-50-29-9994-AL	Mudr 1 In-Wall - L Bracket for Beveled Corners - 2-Pack
AL-50-29-9932-SFR-CU-FT	Mudr 1 In-Wall - Frosted Silicone Cover, 1 foot increment
AL-50-29-NON-POWERED-EC	Mudr 1 Non-Powered End Cap with 2 Straight Connecting brackets with set screws
AL-50-29-POWERED-CORNER-KIT	Mudr 1 Powered Corner Kit: 1 Mudr 1 Powered Corner with Cover and hex screws, 1 Mudr 1 Mounting Plate with TSGB and mounting screws, 4 Straight Connecting brackets with set screws, 2 Wire Strain Reliefs (for 1/8 in.), 2 Nipple Pipes 1/8 in. IPS, 2 Lock Washers 1/8 in. IPS and 2 Hex Nuts 1/8 in. IPS
AL-50-29-POWERED-END-CAP	Mudr 1 In-Wall - Powered End Cap - 1 Pack with 1 Powered End Cap with Cover and Hex Screws, 2 Universal Straight Connectors with Set Screws, 1 Wire Strain Relief, 1 Nipple Pipe, 1 Lock Washer, and 1 Hex Nut
AL-50-29-POWERED-END-CAP-KIT	Mudr 1 Powered End Cap Kit: 1 Mudr 1 Powered End Cap, 1 Mudr 1 Powered End Cap Cover with hex screws, 1 Mudr 1 Mounting Plate with TSGB and mounting screws, 2 Straight Connecting brackets with set screws, 1 Wire Strain Relief (for 1/8 in.), 1 Nipple Pipe 1/8 in. IPS, 1 Lock Washer 1/8 in. IPS and 1 Hex Nut 1/8 in. IPS

This channel is compatible with selected tape light models only, see the "Channel and Tape Light Compatibility and Hotspot Guide" PDF on the Resources page on our website for information.

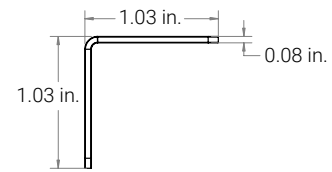
## PRODUCT DIMENSIONS



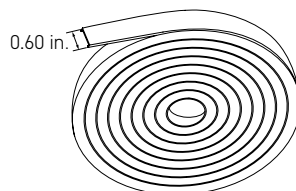
**Mudr 1 In-Wall Channel**



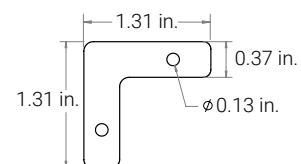
**Straight Connecting Bracket**  
AL-50-29-9992-AL



**L Bracket for Mitred Corners**  
AL-50-29-9993-AL



**Frosted Silicone Cover**  
AL-50-29-9932-SFR-CU-FT  
Up to 200 ft.

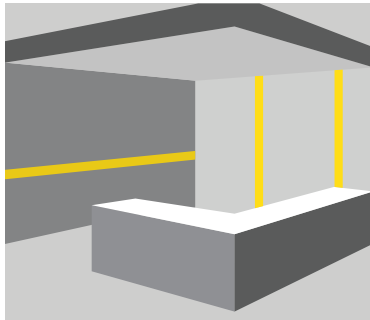


**L Bracket for Beveled Corners**  
AL-50-29-9994-AL

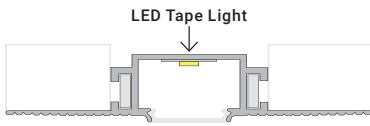
# Mudr 1 In-Wall Channel

## MOUNTING CONFIGURATION GUIDANCE

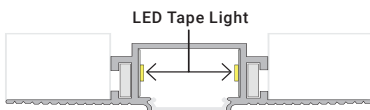
### Straight Configuration



**Straight Connecting Bracket - 2-Pack**  
AL-50-29-9992-AL

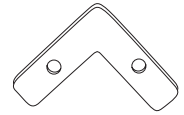
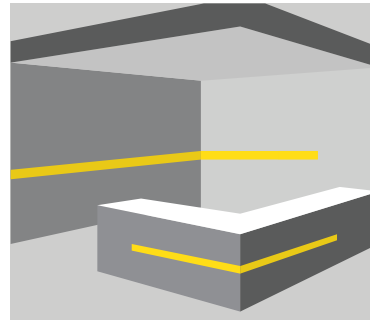


Back Lighting

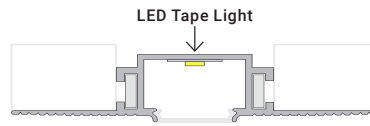


Edge Lighting

### Wrapping Configuration (Bevel Cut)

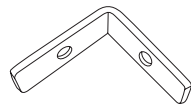
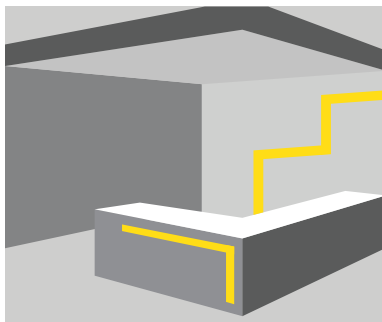


**L Bracket for Beveled Corners - 2-Pack**  
AL-50-29-9994-AL

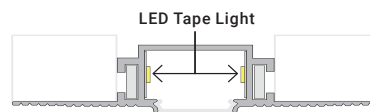


Back Lighting

### Zig-Zag Configuration (Miter Cut)

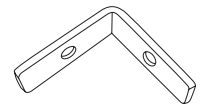
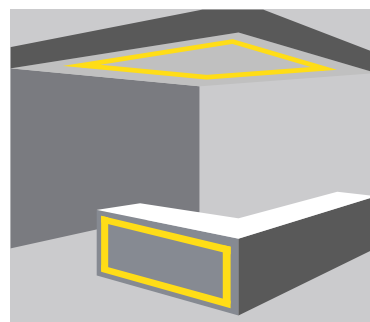


**L Bracket for Mitered Corners - 2-Pack**  
AL-50-29-9993-AL

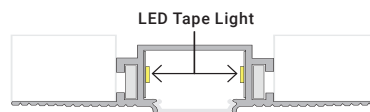


Edge Lighting

### Picture Frame Configuration (Miter Cut)



**L Bracket for Mitered Corners - 2-Pack**  
AL-50-29-9993-AL



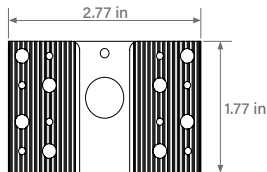
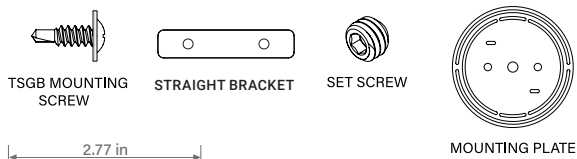
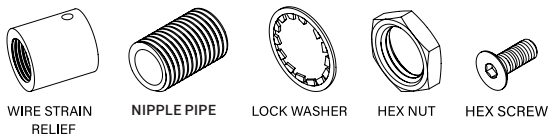
Edge Lighting

# Mudr 1 In-Wall Channel

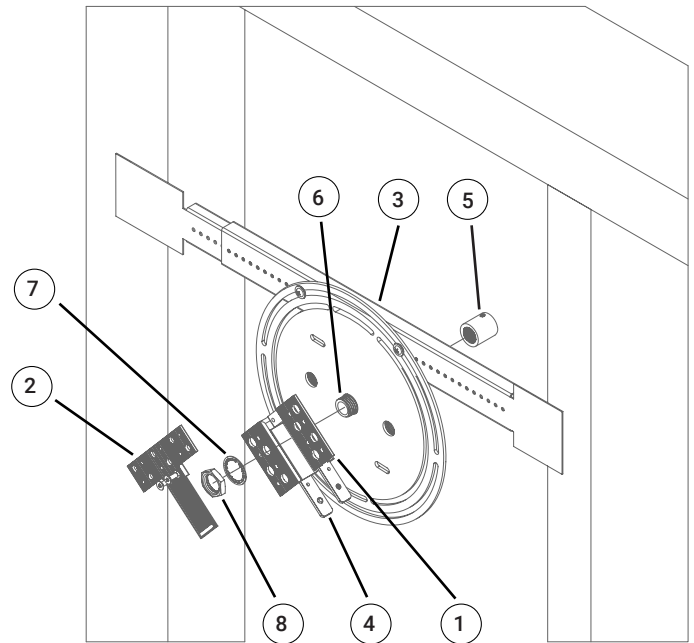
## MOUNTING CONFIGURATION GUIDANCE

### AL-50-29-Powered-End-Cap-Kit

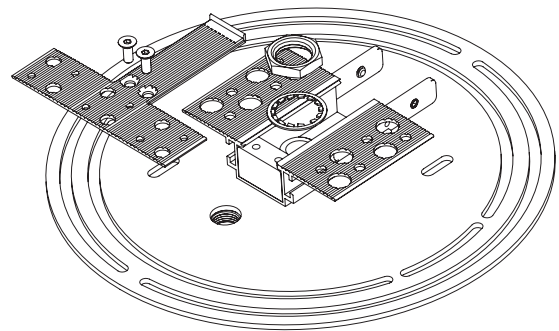
Description	Item Number	Qty.
Mudr 1 Powered End Cap	1	1
Mudr 1 Powered End Cap Cover with hex screws	2	1
Mudr 1 Mounting Plate with TSGB and mounting screws	3	1
Straight Connecting brackets with set screws	4	2
Wire Strain Relief for 1/4 in.	5	1
Nipple Pipe 1/4 in. IPS	6	1
Lock Washer 1/4 in. IPS	7	1
Hex Nut 1/4 in. IPS	8	1



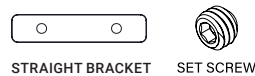
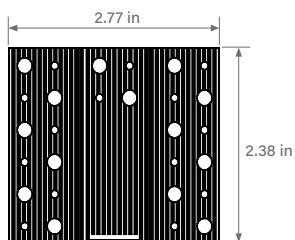
**Mudr 1 In-Wall Powered End Cap**



**Mudr 1 Powered End Cap - Kit**



### AL-50-29-Non-Powered-EC



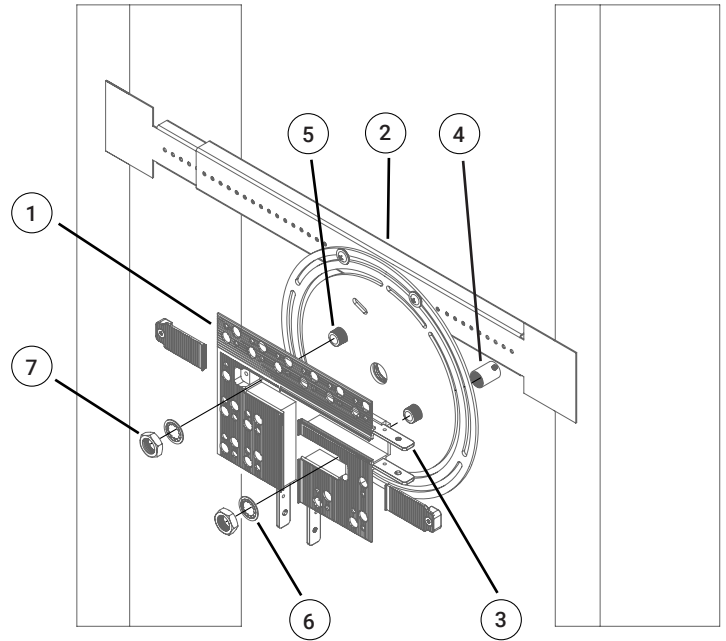
**Mudr 1 In-Wall Non-Powered End Cap**

# Mudr 1 In-Wall Channel

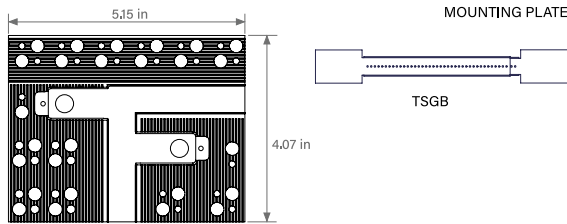
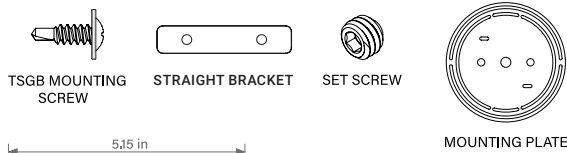
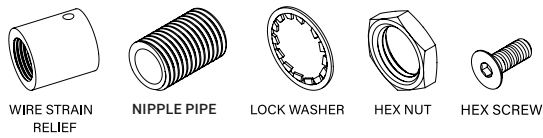
## MOUNTING CONFIGURATION GUIDANCE

### AL-50-29-Powered-Corner-Kit

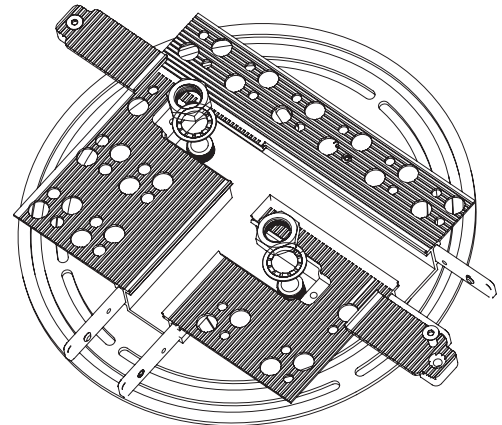
Description	Item Number	Qty.
Mudr 1 Powered Corner with Cover and hex screws	1	1
Mudr 1 Mounting Plate with TSGB and mounting screws	2	1
Straight Connecting brackets with set screws	3	4
Wire Strain Relief for 1/4 in.	4	2
Nipple Pipe 1/4 in. IPS	5	2
Lock Washer 1/4 in. IPS	6	2
Hex Nut 1/4 in. IPS	7	2



Mudr 1 Powered Corner - Kit

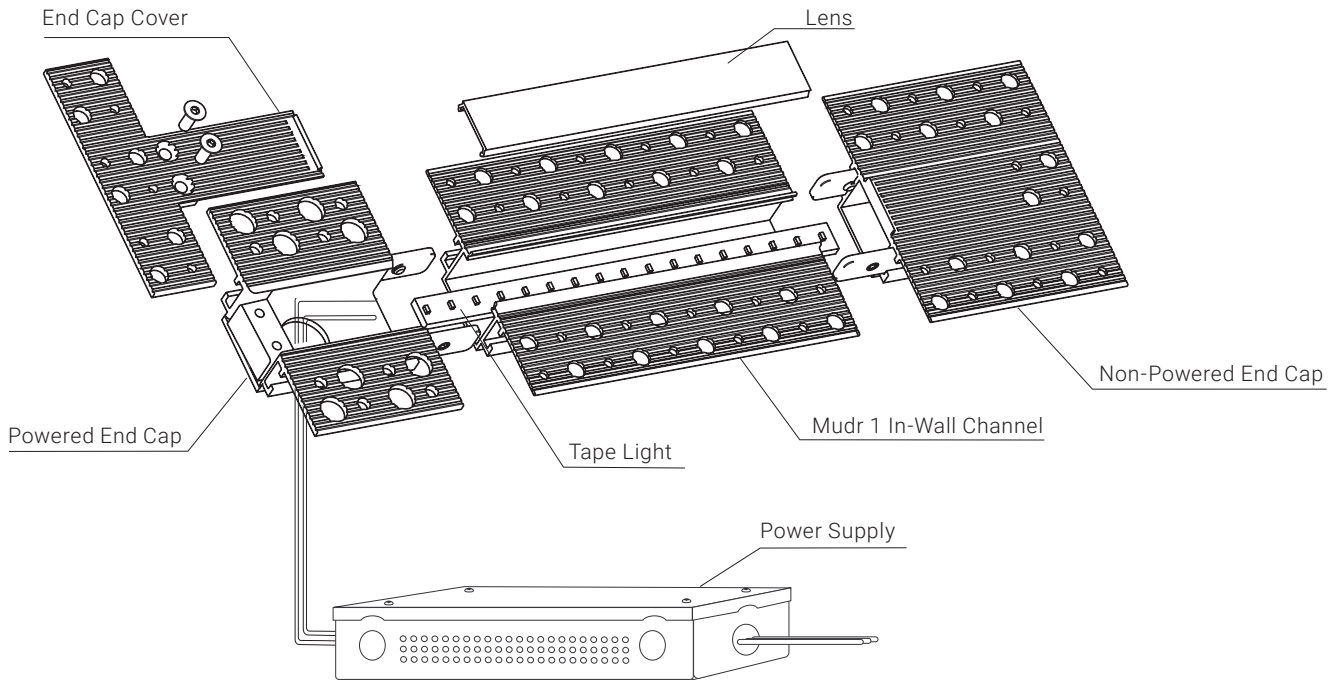


Mudr 1 In-Wall Powered Corner

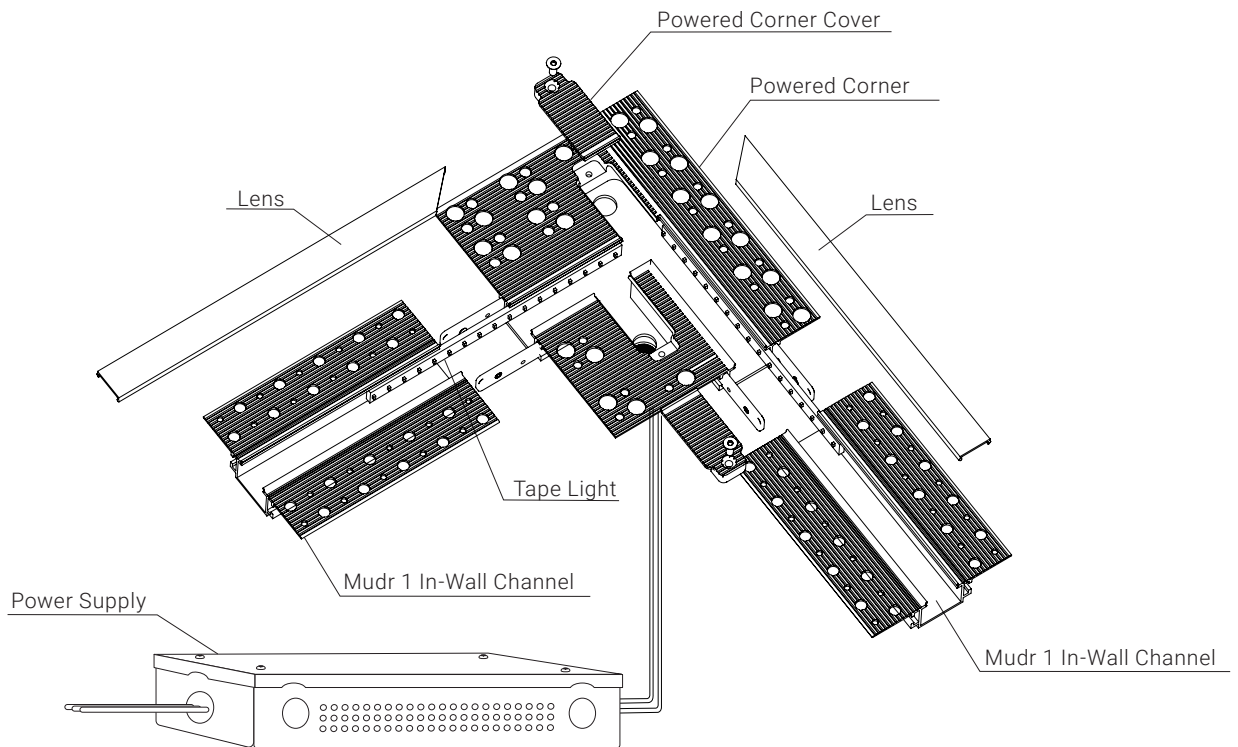


# Mudr 1 In-Wall Channel

## POWERED END CAP COMPLETE SOLUTION



## POWERED CORNER COMPLETE SOLUTION



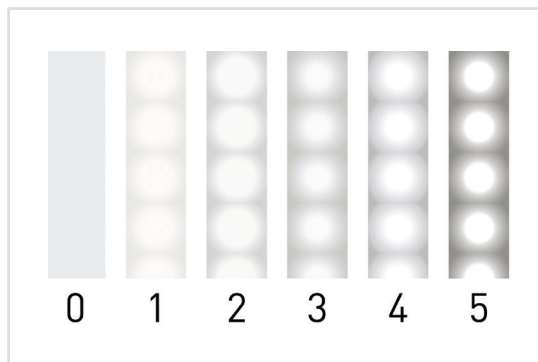
## MUDR 1 AND TAPE LIGHT HOTSPOT AND COMPATIBILITY GUIDE

Tape Light	Wire Connection	TapeMate	Hotspot
PrimaLine <sup>®</sup> 1.5	Y	Y	2
PrimaLine 1.5 XT Long-Run	Y	Y	2
PrimaLine 2.5 COB		Y	0
PrimaLine 2.7 LP	S	Y	0
PrimaLine 3	Y	Y	0
PrimaLine 3 XT Long-Run	Y	Y	0
PrimaLine 4.4 Gen 2	Y	Y	0
PrimaLine 4.4 XT Long-Run Gen 2	Y	Y	0
PrimaLine 5.5 LP	Y	Y	0
PrimaLine 6.6 Gen 2	Y	Y	0
PrimaLine 7	Y	Y	0
PrimaLine 8 Gen 2			
Varien <sup>™</sup> 1.2 XT Long-Run Dim-to-Warm	Y	Y	0
Varien 2.7 Dim-to-Warm	Y	Y	0
Varien 5.5 Dim-to-Warm	Y	Y	0
Varien 8 Dim-to-Warm	Y	Y	0
Radialux <sup>®</sup> 2.2 RGB	Y	Y	1
Radialux 4.2 COB RGB			0
Radialux 4.4 RGB	Y	Y	1
Radialux 4.4 RGBW	Y	Y	0
Radialux 4.7 LP RGBW	N/A	N/A	0
Radialux 5.9 RGBW	Y	Y	0
Radialux 8.8 RGB			
Radialux 8.8 RGBW			
PrimaLine 1.5 Wet			1
PrimaLine 1.5 XT Wet Long-Run			1
PrimaLine 3 Wet			0
PrimaLine 3 XT Long-Run Wet			1
PrimaLine 4.4 XT Long-Run Gen 2 Wet			0
Varien 2.7 Dim-to-Warm Wet			0
Radialux 2.2 RGB Wet			1
Radialux 4.4 RGB Wet			1
Radialux 4.4 RGBW Wet			1
Radialux 5.9 RGBW Wet			1

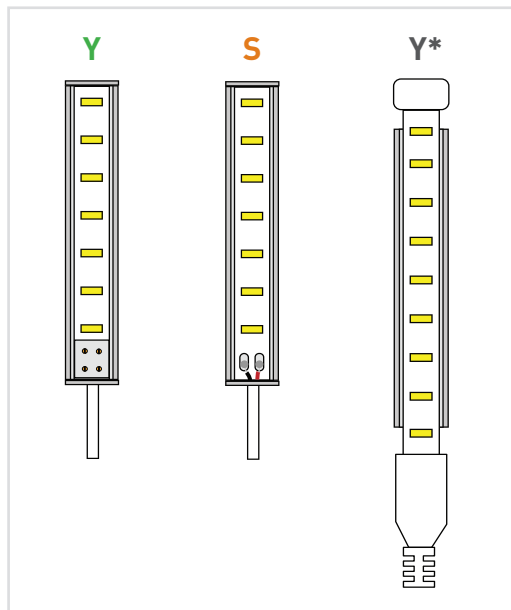
### Chart Key

- Y** Tape, channel, and connector fit
- Y\*** (Wet Tape Only) Tape light end caps do not fit
- S** (Dry Tape Only) Connector does not fit in channel / leads should be soldered
- Does not fit width and /or height

### Hotspot Values



### Compatibility Visual Key



# ALLOY LED<sup>®</sup> Specifications

## RECOMMENDED TAPE LIGHT (SOLD SEPARATELY)

### Medium Output

PrimaLine 3 LED Tape Light



12V DC / Maximum Run = 21 ft.					
16.4 ft. Spool	50 ft. Spool	100 ft. Spool	Color Temperature	Lumens per Foot	CRI
AL-01-02-1201	AL-01-02-1221	AL-01-02-1241	● 2700K	207	98
AL-01-02-1202	AL-01-02-1222	AL-01-02-1242	● 3000K	234	98
AL-01-02-1203	AL-01-02-1223	AL-01-02-1243	○ 4200K	240	97
AL-01-02-1204	AL-01-02-1224	AL-01-02-1244	● 5000K	244	96

24V DC / Maximum Run = 33 ft.					
16.4 ft. Spool	50 ft. Spool	100 ft. Spool	Color Temperature	Lumens per Foot	CRI
AL-01-02-2400	AL-01-02-2420	AL-01-02-2440	● 2200K	170	95
AL-01-02-2401	AL-01-02-2421	AL-01-02-2441	● 2700K	207	98
AL-01-02-2402	AL-01-02-2422	AL-01-02-2442	● 3000K	234	98
AL-01-02-2403	AL-01-02-2423	AL-01-02-2443	○ 4200K	240	97
AL-01-02-2404	AL-01-02-2424	AL-01-02-2444	● 5000K	244	96
AL-01-02-2405	AL-01-02-2425	AL-01-02-2445	● 2400K	178	96

### High Output

PrimaLine 4.4 XT Long-Run Gen 2 LED Tape Light



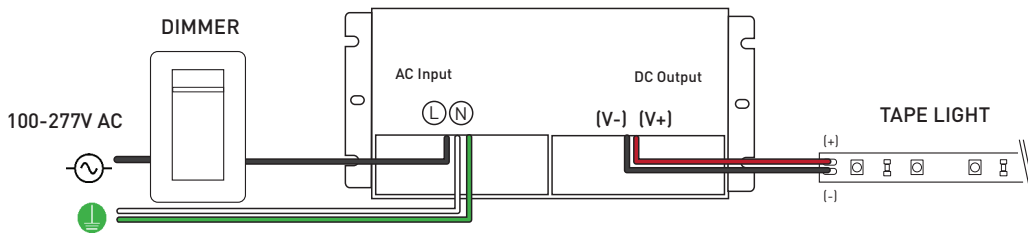
24V DC / Maximum Run = 26 ft. / Class 2 Limit = 21 ft.					
20 ft. Spool	40 ft. Spool	100 ft. Spool	Color Temperature	Lumens per Foot	CRI
AL-01-16-2401	AL-01-16-2421	AL-01-16-2441	● 2700K	294	97
AL-01-16-2402	AL-01-16-2422	AL-01-16-2442	● 3000K	347	96
AL-01-16-2403	AL-01-16-2423	AL-01-16-2443	○ 4200K	361	97
AL-01-16-2404	AL-01-16-2424	AL-01-16-2444	● 5000K	379	95
AL-01-16-2408	AL-01-16-2428	AL-01-16-2448	● 3500K	333	98

# ALLOY LED<sup>®</sup> Specifications

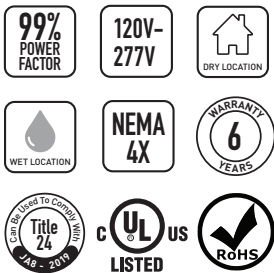
## RECOMMENDED POWER SUPPLIES (SOLD SEPARATELY)



Alloy LED PowerFactor™ Dimmable Power Supplies with Integrated UL Listed Junction Box  
Compact, highly efficient, and code-compliant power supply with versatile and smooth dimming capabilities.



Wiring diagram is for reference only. Please refer to dimmer wiring specifications sheet for accurate directions.



### Single Tap Models

Item Number	Output Voltage	Wattage	Wet Location	Minimum Load	Dimensions (L x W x H)	Class 2
AL-98-10-12030	12V DC	30W	Yes (NEMA 4X)	10%	6.50 x 3.72 x 1.02 in.	Yes
AL-98-10-12060	12V DC	60W	Yes (NEMA 4X)	10%	7.40 x 3.72 x 1.02 in.	Yes
AL-98-10-12120	12V DC	120W	Yes (NEMA 4X)	10%	8.66 x 3.72 x 1.57 in.	No
AL-98-10-24030	24V DC	30W	Yes (NEMA 4X)	10%	6.50 x 3.72 x 1.02 in.	Yes
AL-98-10-24060	24V DC	60W	Yes (NEMA 4X)	10%	7.40 x 3.72 x 1.02 in.	Yes
AL-98-10-24096	24V DC	96W	Yes (NEMA 4X)	10%	8.66 x 3.72 x 1.57 in.	Yes
AL-98-10-24150	24V DC	150W	Yes (NEMA 4X)	10%	10.24 x 4.13 x 1.77 in.	No
AL-98-10-24200	24V DC	200W	Yes (NEMA 4X)	10%	10.24 x 4.13 x 1.77 in.	No
AL-98-10-24300	24V DC	300W	Yes (NEMA 4X)	10%	10.94 x 4.33 x 1.77 in.	No

### Class 2 Compliant Multi-Tap Models

Item Number	Output Voltage	Wattage	Wet Location	Minimum Load	Dimensions (L x W x H)	Class 2
AL-98-10-12300-MT	12V DC	300W	Yes (NEMA 4X)	10%	11.85 x 4.33 x 1.77 in.	Yes
AL-98-10-24192-MT	24V DC	192W	Yes (NEMA 4X)	10%	10.94 x 4.33 x 1.77 in.	Yes
AL-98-10-24288-MT	24V DC	288W	Yes (NEMA 4X)	10%	11.85 x 4.33 x 1.77 in.	Yes

Note: PowerFactor assumes 80% load.  
Inspectors prefer power supply to be used with junction box.  
For dimmer compatibility, refer to drivers specification sheet.

# ALLOY LED® Specifications

## RECOMMENDED POWER SUPPLIES (SOLD SEPARATELY)

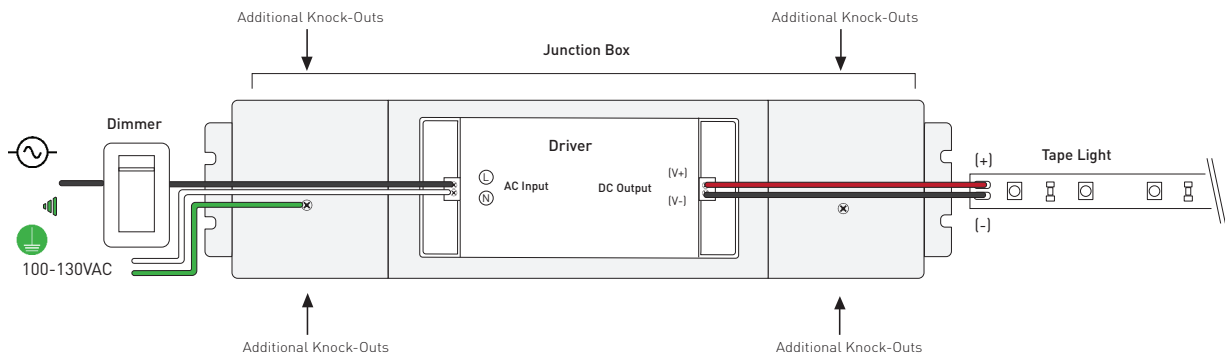
Alloy LED Primavolt® No Minimum Load Dimmable Power Supplies with ETL Listed Junction Box  
Code-compliant power supply with versatile and smooth dimming capabilities. Compatible with Incandescent, On/Off, ELV and MLV dimmers.



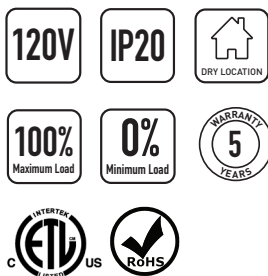
Dry Location Model  
White model for 60W and lower



Wet Location Model  
Black model for 80W and higher



Wiring diagram is for reference only. Please refer to dimmer wiring specifications sheet for accurate directions.



Item Number	Output Voltage	Wattage	Minimum Load	Dimensions (Junction Box) (L x W x H)	Class 2
AL-98-03-12024-NM	12V DC	24W	0%	13.78 x 3.03 x 1.46 in.	Yes
AL-98-03-12048-NM	12V DC	48W	0%	13.78 x 3.03 x 1.46 in.	Yes
AL-98-03-12060-NM	12V DC	60W	0%	13.78 x 3.03 x 1.46 in.	Yes
AL-98-03-12080-NM	12V DC	80W	0%	14.96 x 3.03 x 2.24 in.	No
AL-98-03-12120-NM	12V DC	120W	0%	14.96 x 3.03 x 2.24 in.	No
AL-98-03-24024-NM	24V DC	24W	0%	13.78 x 3.03 x 1.46 in.	Yes
AL-98-03-24048-NM	24V DC	48W	0%	13.78 x 3.03 x 1.46 in.	Yes
AL-98-03-24060-NM	24V DC	60W	0%	13.78 x 3.03 x 1.46 in.	Yes
AL-98-03-24080-NM	24V DC	80W	0%	14.96 x 3.03 x 2.24 in.	Yes
AL-98-03-24096-NM	24V DC	96W	0%	14.96 x 3.03 x 2.24 in.	Yes
AL-98-03-24150-NM	24V DC	150W	0%	15.98 x 3.43 x 2.36 in.	No
AL-98-03-24200-NM	24V DC	200W	0%	15.98 x 3.43 x 2.36 in.	No

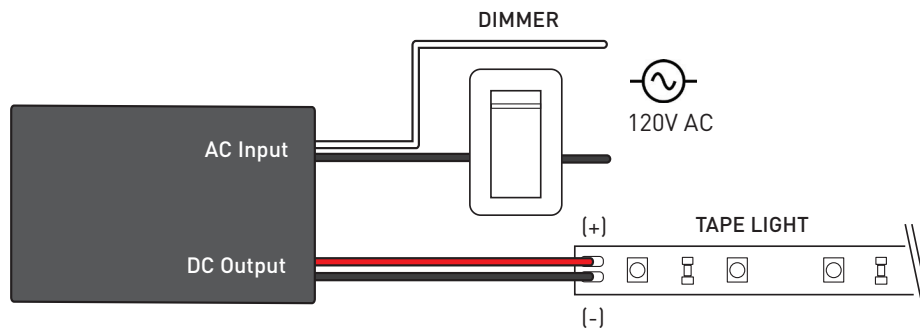
Note: Alloy LED strongly recommends using Listed Class 2 power supplies for all installations. Always install in accordance with local and national electrical code regulations. Inspectors prefer power supply to be used with junction box. For dimmer compatibility, refer to drivers specification sheet.

# ALLOY LED® Specifications

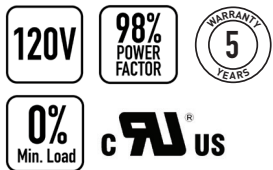
## RECOMMENDED POWER SUPPLIES (SOLD SEPARATELY)

### ELV Dimmable Power Supplies for Remote Enclosures

The drivers are derated, but when installed in a small enclosure with no heatsink or air circulation, we recommend a maximum load of 40W.



Wiring diagram is for reference only. Please refer to dimmer wiring specifications sheet for accurate directions.



Item Number	Output	Wattage	Dimensions (L x W x H)	Class 2
AL-98-08-12060	12V DC	60W	2.66 x 1.30 x 0.83 in.	Yes
AL-98-08-24060	24V DC	60W	2.66 x 1.30 x 0.83 in.	Yes

Note: Inspectors prefer power supply to be used with junction box.  
For dimmer compatibility, refer to drivers specification sheet.

## DIMMING ACCESSORIES (SOLD SEPARATELY)

### Lutron<sup>®</sup> Dimming Accessories

By participating in Lutron's OEM Advantage program, Alloy LED is able to offer a range of the highest quality low voltage power supplies and selected controls on the market.



Hi-lume Premier  
0.1% EcoSystem /  
3-wire LED Driver  
(96W 24VDC)



Hi-lume 1% LED Driver 40W  
- EcoSystem / 3-wire control  
- 2-wire 120V forward  
phase control



Lutron Vive PowPak RF Module  
- RF module for EcoSystem LED  
driver control  
- Use with the Lutron EcoSystem  
drivers shown to "Vive-enable"  
Alloy LED products

### Lutron<sup>®</sup> Hi-lume LED Drivers

Item Number	Output	Wattage	Minimum Load	Class 2
AL-98-07-12040	12V DC	40W	N/A	Yes
AL-98-07-12040-3WIRE	12V DC	40W	N/A	Yes
AL-98-07-24040	24V DC	40W	N/A	Yes
AL-98-07-24040-3WIRE	24V DC	40W	N/A	Yes
AL-98-07-24096-3WIRE	24V DC	96W	N/A	Yes

### Lutron<sup>®</sup> Controls

Item Number	Description	Voltage
AL-98-07-9901	EcoSystem Control Module	N/A
AL-98-07-9901-8	EcoSystem Control Module - 8 pack	N/A
AL-98-07-9950	CL Dimmer	120V AC
AL-98-07-9950-FPLATE	CL Dimmer faceplate	N/A

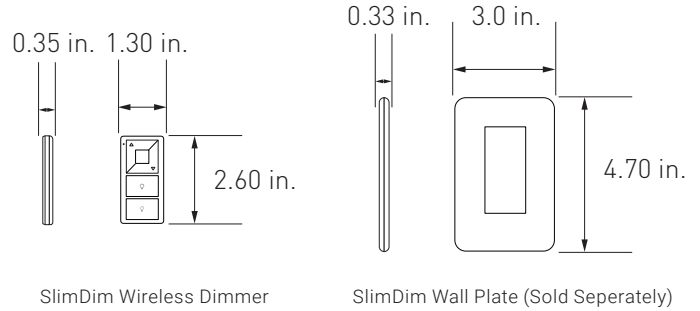
## DIMMING ACCESSORIES (SOLD SEPARATELY)

### Dimmers and Switches

#### SlimDim Wireless Dimmer Switch



Using long-range RF technology, these LED dimmers connect wirelessly to a receiver, offering freedom to mount anywhere. Can also be used as a fob for mobile, hand-held control.

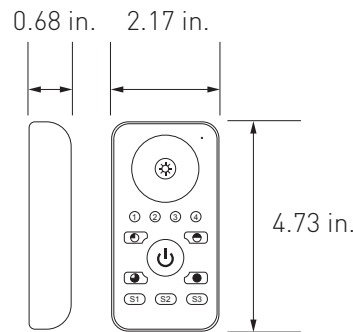
AL-70-01-0001	SlimDim Wireless Dimmer	
AL-70-01-0002	Single Color Receiver (96W max.) (sold separately)	
AL-98-07-9950 -FPLATE	SlimDim Wall Plate (sold separately)	



#### Remote Control Dimmer Switch

Provides full dimming and on/off control, and includes a touch wheel that allows for direct visual selection of brightness. It can also operate up to four independent zones.

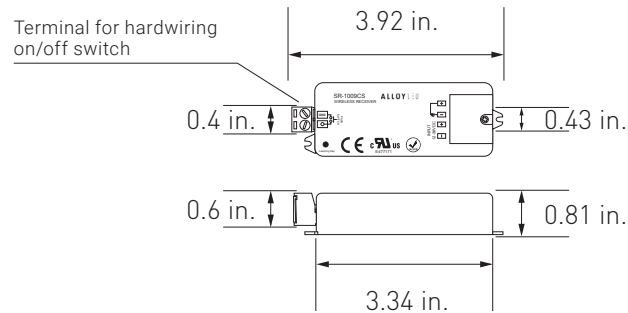
AL-60-03-0001	Remote Control Dimmer Switch	
AL-70-01-0002	Single Channel Receiver (sold separately)	
AL-60-03-0004-V2	Wireless Receiver (RGB & RGBW) (sold separately)	



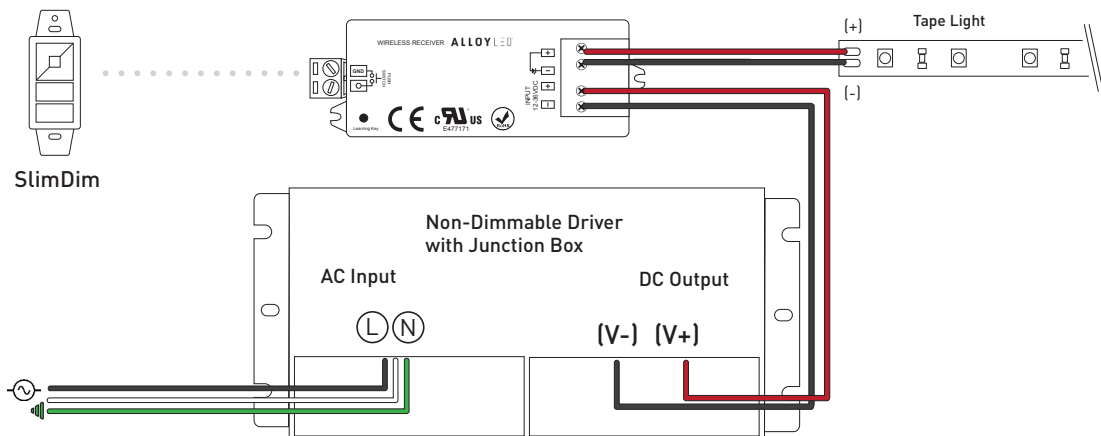
#### Single Channel Wireless Receiver

Pair with the Remote Control Dimmer Switch or the SlimDim Wireless Dimmer to dim PrimaLine tape lights. Use one remote to make independent lighting zones with multiple receivers with certain controllers.

AL-70-01-0002	Single Channel Wireless Receiver	
---------------	----------------------------------	--



## WIRING DIAGRAM

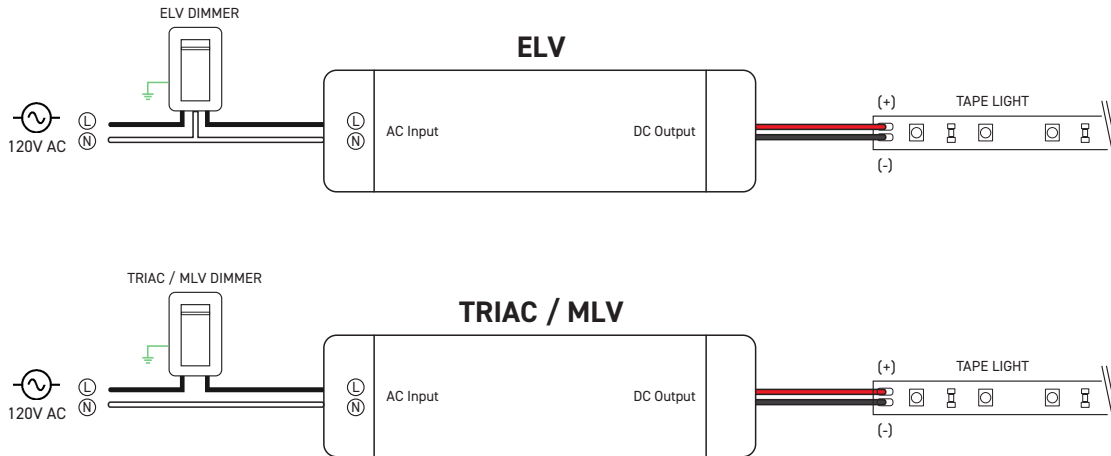
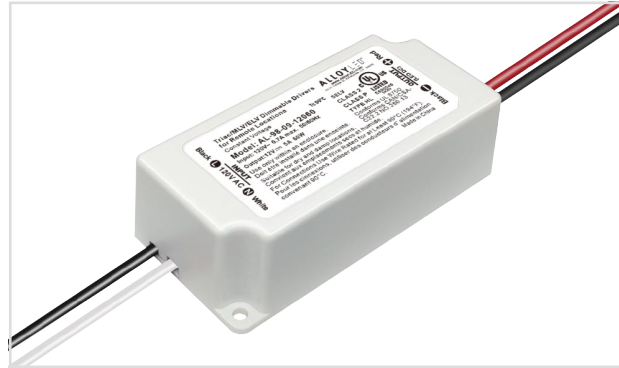


# ALLOY LED® Specifications

## RECOMMENDED POWER SUPPLIES (SOLD SEPARATELY)

### Alloy LED TRIAC/MLV/ELV Dimmable Drivers for Remote Locations

Offers stable power in even in the most remote settings. Compatibility with TRIAC, ELV, or MLV dimmers.



Wiring diagram is for reference only. Please refer to dimmer wiring specifications sheet for accurate directions.

120V

100%  
Maximum Load

20%  
Min. Load

DRY LOCATION

UL  
LISTED

CLASS 2

CLASS P

TYPE HL

SELV

ROHS

WARRANTY  
5  
YEARS

Item Number	Output Voltage	Wattage	Dimensions (L x W x H)	Class 2
AL-98-09-12060	12V DC	60W	3.31 x 1.57 x 0.98	Yes
AL-98-09-24096	24V DC	96W	3.31 x 1.57 x 0.98	Yes

Note: Alloy LED strongly recommends using Listed Class 2 power supplies for all installations. Always install in accordance with local and national electrical code regulations. Inspectors prefer power supply to be used with junction box. For dimmer compatibility, refer to drivers specification sheet.