

5-Channel Wireless RGBTW Receiver

AL-60-03-0012



This wireless receiver is compatible with several color controllers and dimmers (all sold separately) to provide full color control and dimming of LED lights. Additional wireless receivers can be used with the same controller to create independent zones that are limited only by the controller.

- Input Voltage: 12-48V DC
- Max. Wattage: 8A/CH (12-24V) | 6A/CH (36V) | 4A/CH (48V)
- Output Power: 96W/CH(12V) | 192W/CH(24-48V) | 216W/CH(36V)
- RF: 869.5 / 916.5 / 434 mhz
- Constant Voltage
- Dimensions: 6.69 in. x 2.32 in. x 1.14 in.
- Power Source: 12-24V Non-Dimmable Driver

TECHNICAL INFORMATION

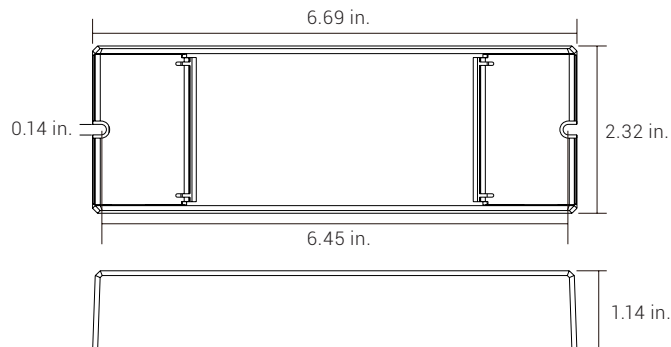
Compatible with: (all sold separately)

- Remote Control Dimmer Switch - AL-60-03-0001
- Wireless Remote Controller - AL-60-03-0002
- DMX Touch Wall Controller - AL-60-03-0003
- LED WiFi Controller Hub - AL-60-03-0008
- SlimDim Wireless Controller - AL-60-03-0009
- DMX Touch Wall Controller RGBTW - AL-60-03-0011
- Wireless RGBTW Remote Controller- AL-60-03-0013

Maximum tape load per receiver that can be connected (note: follow the maximum run lengths listed in each tape light's specification sheet):

- | | |
|----------------------------------|--|
| • Radialux 2.2 RGB: 88 ft. | • Radialux 5.9 RGBW: 34 ft. |
| • Radialux 4.4 RGB: 45 ft. | • Radialux 8.8 RGB: 23 ft. |
| • Radialux 4.4 RGBW: 45 ft. | • Radialux 8.8 RGBW: 23 ft. |
| • Radialux 4.7 LP RGBW: 44 ft. | • VariTune 2.7 LP: 71 ft. |
| • Radialux 4.9 COB RGBW: 40 ft. | • VariTune 4.3 COB: 45 ft. |
| • Radialux 5.5 COB RGBTW: 35 ft. | • VariTune RazorLine 6.1 Tunable White: 32 ft. |
| • Radialux 5.8 LP RGBW: 33 ft. | |

DIMENSIONS



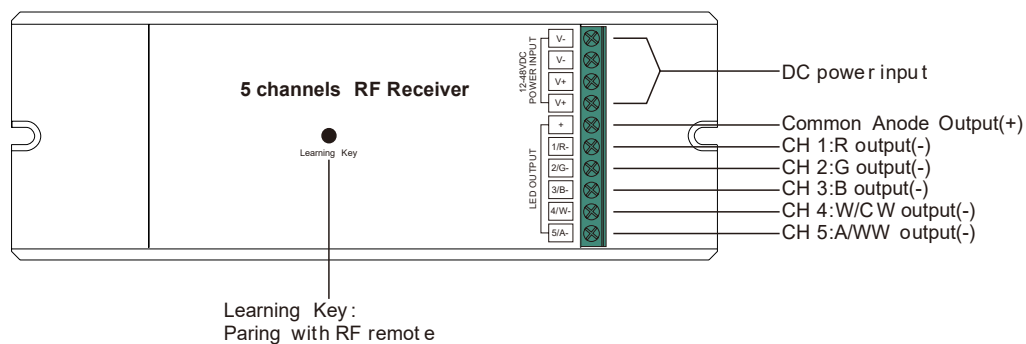
OPERATION INSTRUCTIONS

Pair / Delete the pairing with RF remote

1. Do the wiring according to the connection diagram.
2. To pair the RF receiver with an RF remote, please refer to the instructions for the remote you want to pair.

To delete a pairing:

1. Connect and power on the RF receiver.
2. Press and hold the "Learning Key" button on the receiver for more than 3 seconds, until the connected light flashes. This indicates that the pairing has been successfully deleted.



SAFETY & WARNINGS

- This product should be installed and serviced by a qualified technician
- Never connect any cables while power is on
- Before switching power on, ensure connections are correct to avoid short circuits
- Alloy LED strongly recommends installing these in-wall controllers in a PVC or plastic junction box if they are intended to be used wirelessly
- Do not expose this unit to water. When installed outdoors, ensure it is mounted in a waterproof enclosure
- Always mount this unit in an area with proper ventilation to avoid overheating

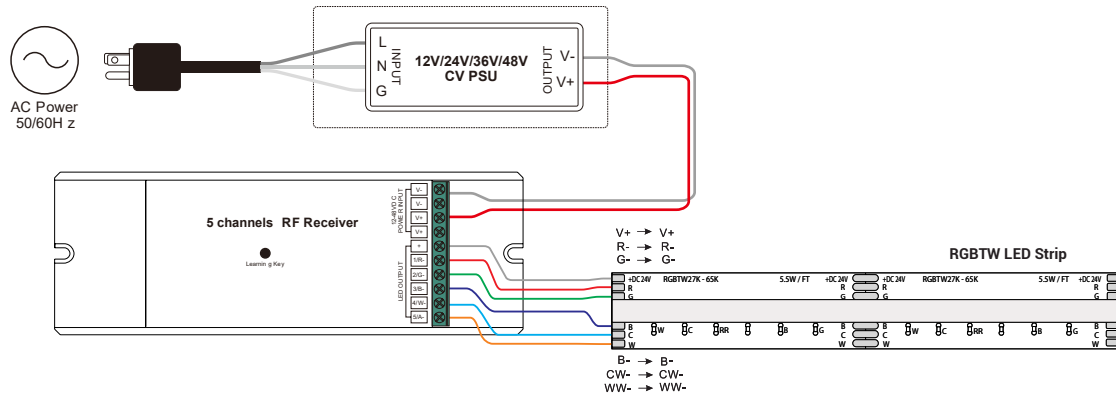
TROUBLESHOOTING

Lights responding incorrectly?

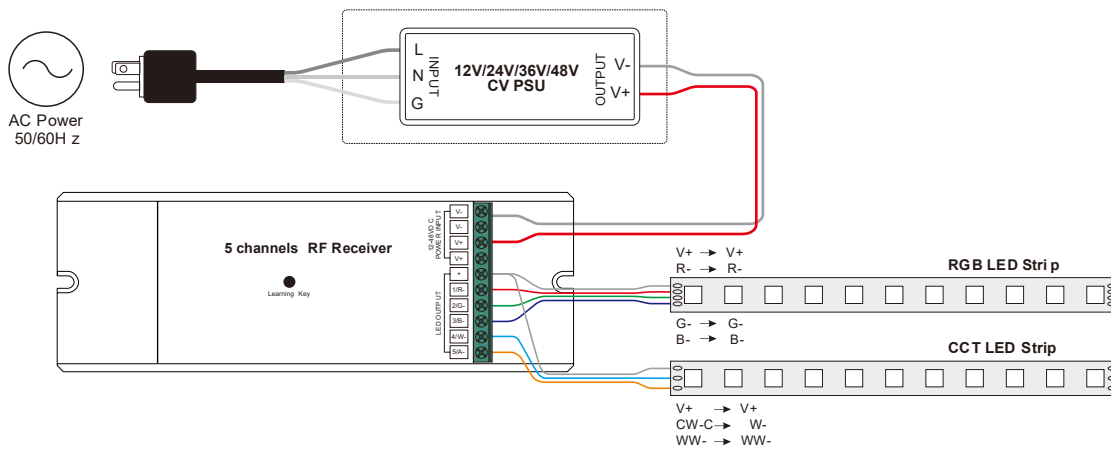
1. Make sure that all wiring connections are correct per the wiring instructions mentioned above. Reversing the Data + and Data - wires can cause lights to flicker and not respond to the controller.
2. Check the power connections of all components (controller, fixtures, drivers, etc).
3. Make sure that the voltage of any LED power supplies used complies with the working voltage (12-36V DC) of this product.

ALLOY LED[®] Specifications

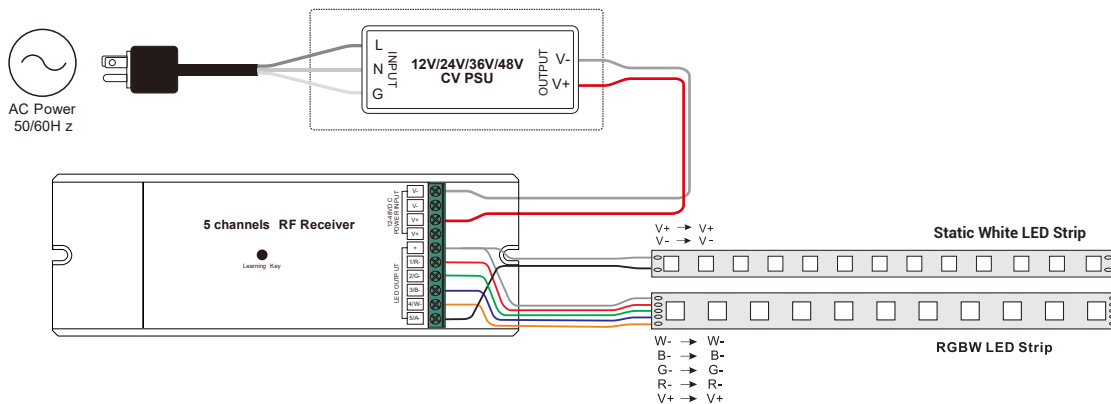
WIRING DIAGRAM : RGBTW



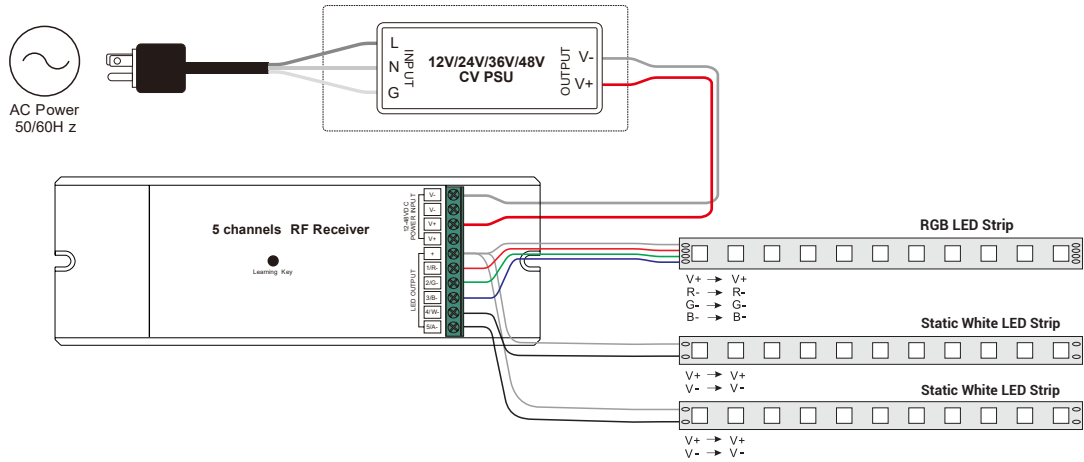
WIRING DIAGRAM : RGB & TUNABLE WHITE



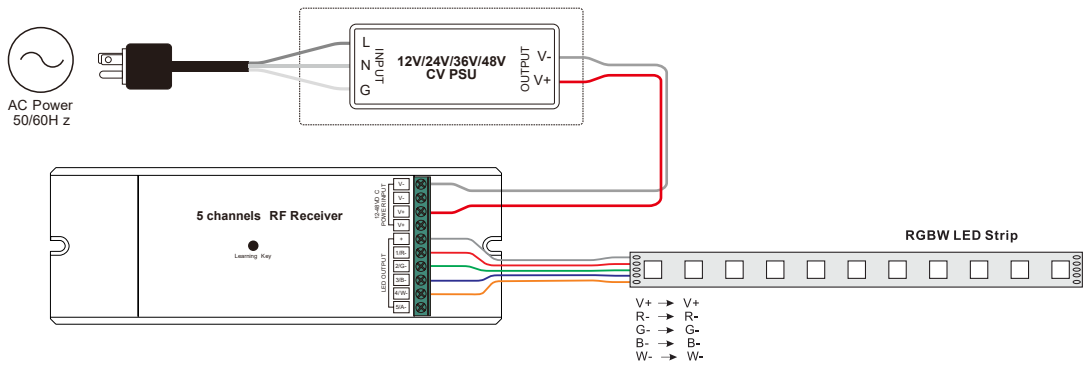
WIRING DIAGRAM : RGBW & STATIC WHITE



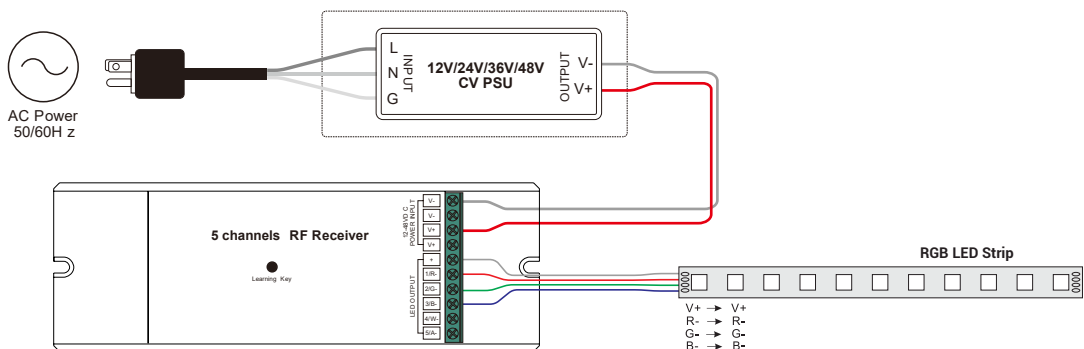
WIRING DIAGRAM : RGB + COOL WHITE & WARM WHITE



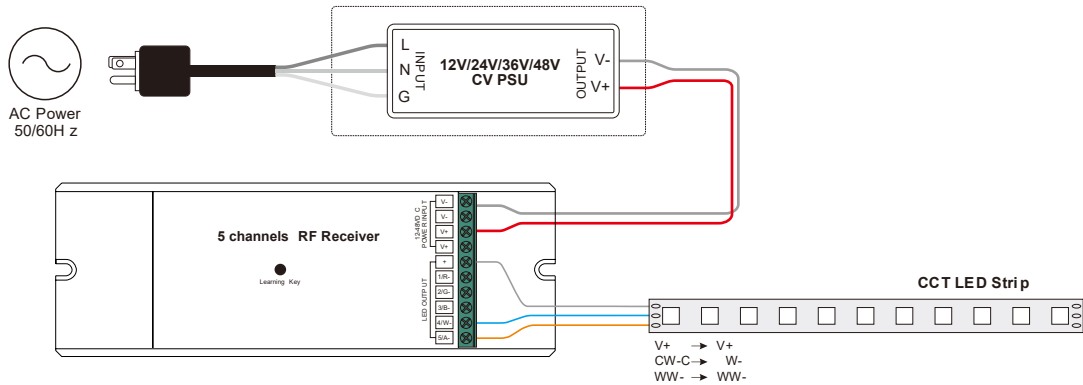
WIRING DIAGRAM : RGBW



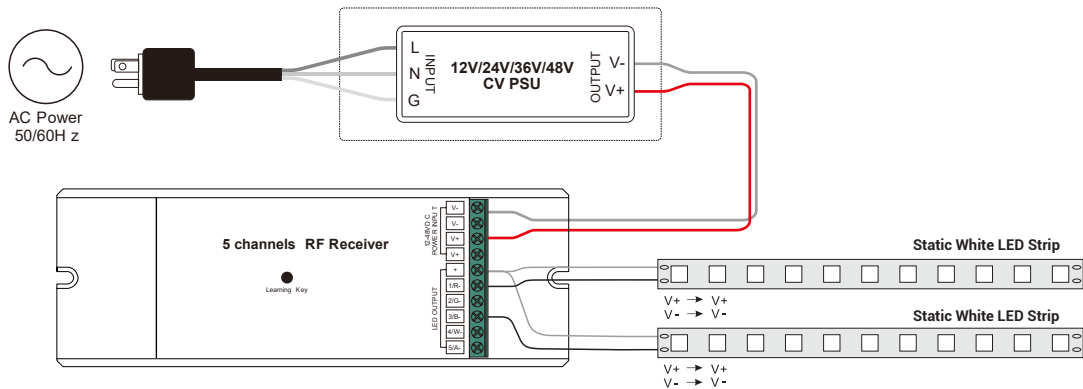
WIRING DIAGRAM : RGB



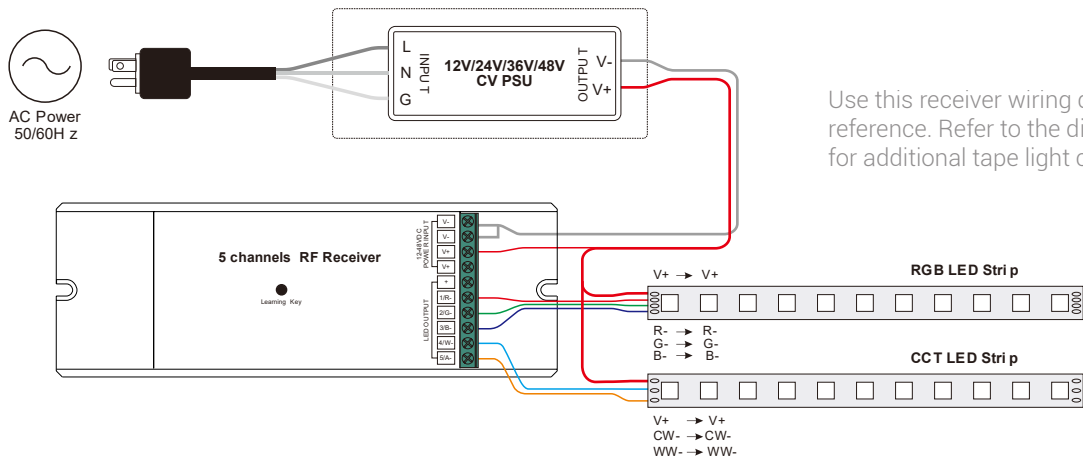
WIRING DIAGRAM : TUNABLE WHITE



WIRING DIAGRAM : 1-5 DIFFERENT STATIC WHITE



WIRING DIAGRAM : RGB & TUNABLE WHITE (WHEN TOTAL LOAD OF EACH RECEIVER IS OVER 20A)



Use this receiver wiring diagram as a reference. Refer to the diagrams above for additional tape light configurations.