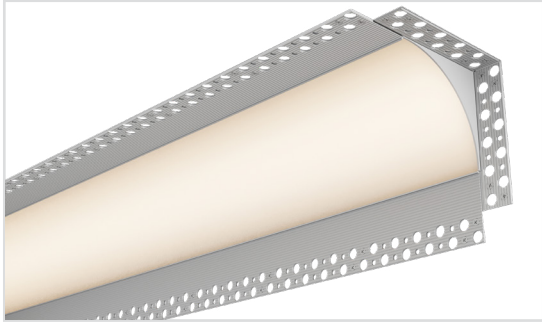


# Mudr ArcCove 4in. - Fixture



Shown with closed endcaps



Edge lit tapes only

Mudr ArcCove 4 in. is a compact corner-mounted recessed cove luminaire with an illuminated reveal compatible with 5/8" drywall.

Featuring beautifully soft indirect light designed to provide corner accent lighting, Mudr ArcCove 4 in. combines sleek design with effective lighting.

- Recessed mounted into drywall at an inside corner between a wall and the ceiling.
- Designed to easily wrap around corners with no light gaps corners without the need for soldering or corner connectors that can create dark spots.
- Linking system easily joins and aligns profile sections
- Compatible with 5/8in. drywall
- Paintable surface ensures seamless integration with any decor or color palette.

## SKU BUILDER

Recommended Hot-Spot Free Tape Light Combination

| Channel Prefix | Location | Tape Model*†        | Voltage | CCT**              | Lens                         | Finish   | Length | # of Leads     | Lead Length 1 | Lead Length 2 |
|----------------|----------|---------------------|---------|--------------------|------------------------------|----------|--------|----------------|---------------|---------------|
| AL-REC-ARCC4   | I        |                     | 24V     |                    |                              | AL       |        |                |               |               |
|                |          | <b>White Light</b>  |         | <b>White Light</b> | FRT - Frosted<br>CLR - Clear | Aluminum | inches | 1LEAD<br>2LEAD | inches        | inches        |
|                |          | PL3‡ - 200± lm/ft   |         | 2700K              |                              |          |        |                |               |               |
|                |          | PL4.4 - 350± lm/ft  |         | 3000K              |                              |          |        |                |               |               |
|                |          | PL5.5 - 450± lm/ft  |         | 4200K              |                              |          |        |                |               |               |
|                |          | PL7 - 700± lm/ft    |         | 5000K              |                              |          |        |                |               |               |
|                |          | <b>Dim-to-Warm</b>  |         | <b>Dim-to-Warm</b> |                              |          |        |                |               |               |
|                |          | VAR2.7 - 232 lm/ft  |         | 3000K-1800K        |                              |          |        |                |               |               |
|                |          | VAR5.5 - 482 lm/ft  |         |                    |                              |          |        |                |               |               |
|                |          | VAR8 - 747 lm/ft    |         |                    |                              |          |        |                |               |               |
|                |          | <b>RGB</b>          |         | <b>RGB</b>         |                              |          |        |                |               |               |
|                |          | RGB2.2 - 83 lm/ft   |         | RGB                |                              |          |        |                |               |               |
|                |          | RGB4.4 - 193 lm/ft  |         |                    |                              |          |        |                |               |               |
|                |          | <b>RGBW</b>         |         | <b>RGBW</b>        |                              |          |        |                |               |               |
|                |          | RGBW4.7 - 229 lm/ft |         | RGBW               |                              |          |        |                |               |               |

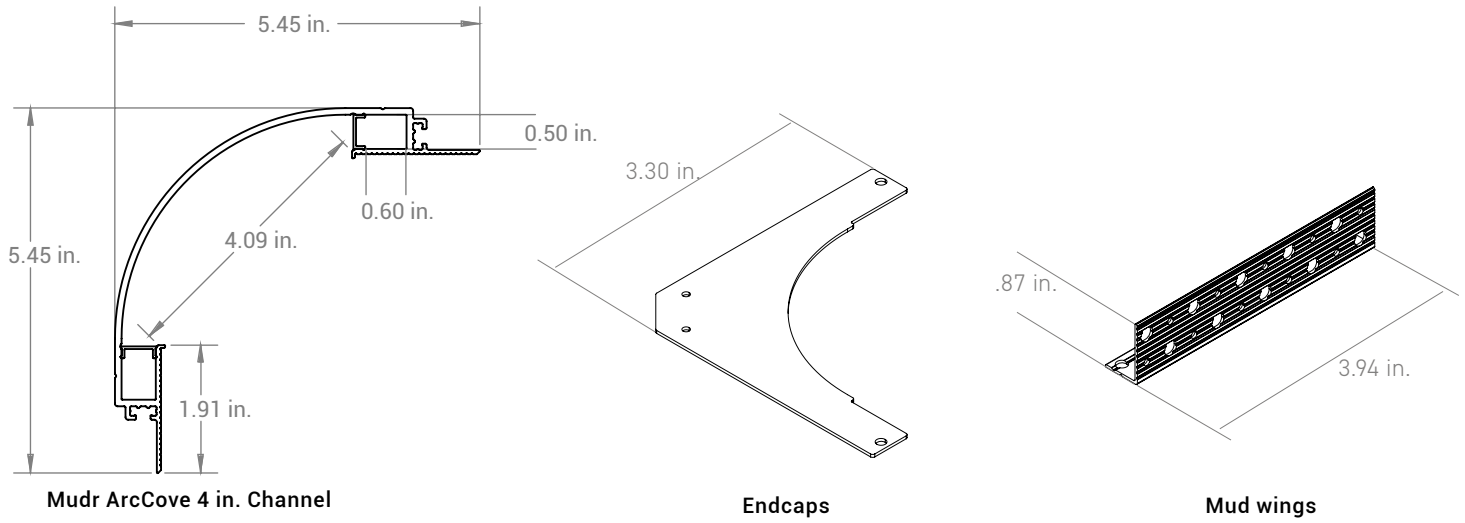
\*For full list of compatible tape lights, see our hotspot guide: [HERE](#).

† Not all connectors fit and some tape lights need to be solder in the field. For full compatibility see our guide: [HERE](#).

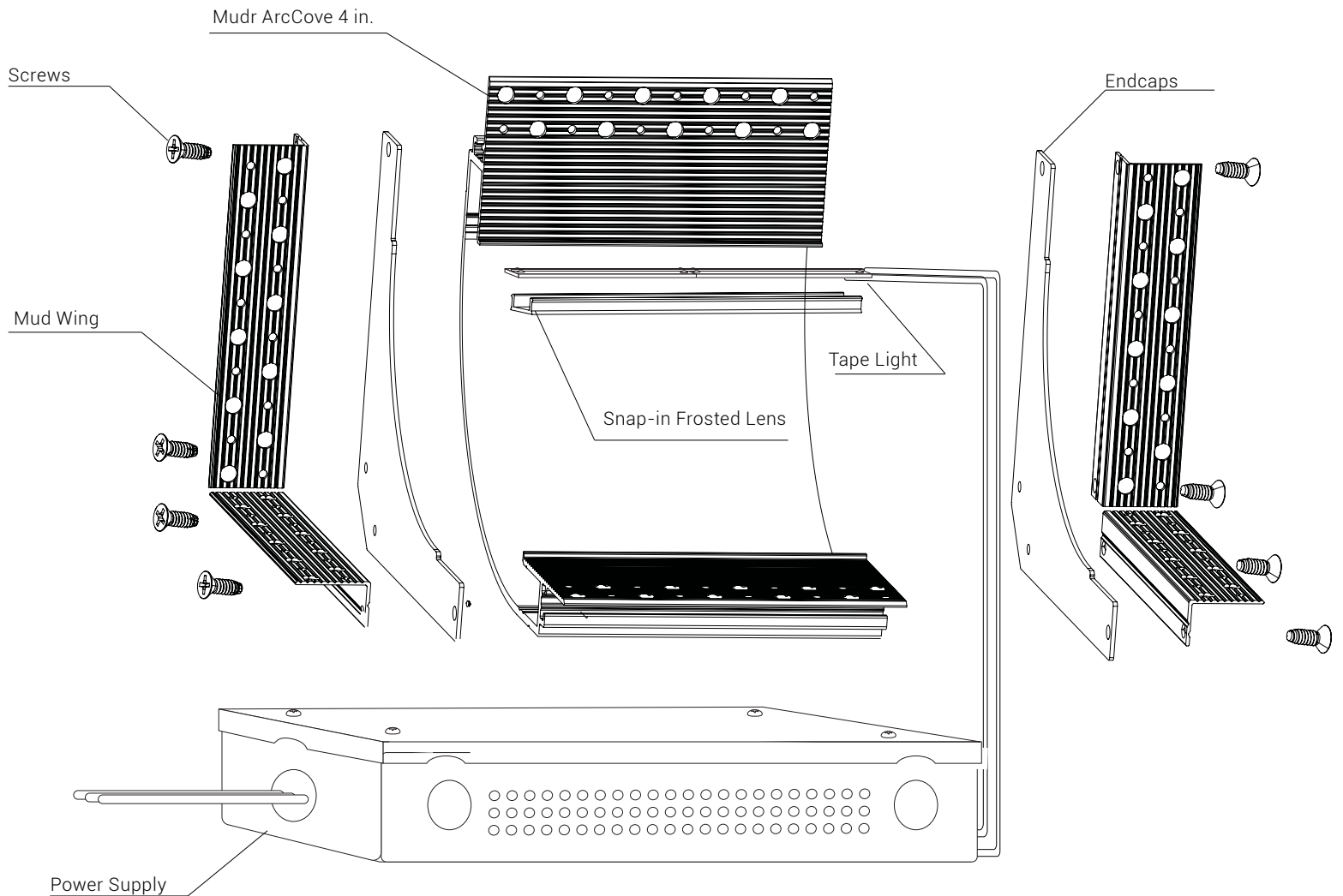
\*\*Not all CCTs apply to all tape models and additional CCTs may be available. See individual tape light spec sheets for full list of CCT.

# Mudr ArcCove 4 in. Fixture

## DIMENSIONS



## COMPLETE SOLUTION

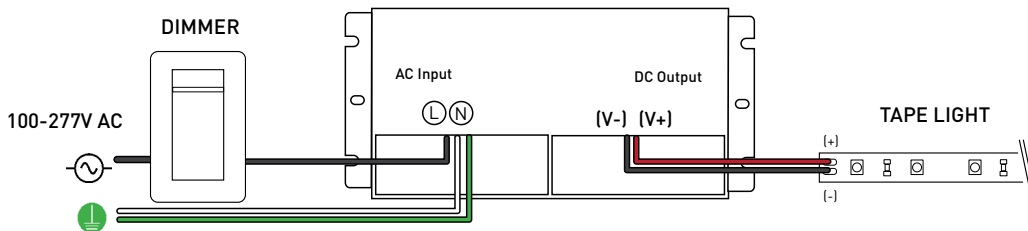


# ALLOY LED® Specifications

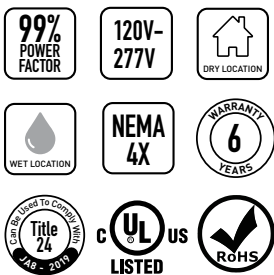
## RECOMMENDED POWER SUPPLIES (SOLD SEPARATELY)



Alloy LED PowerFactor™ Dimmable Power Supplies with Integrated UL Listed Junction Box  
Compact, highly efficient, and code-compliant power supply with versatile and smooth dimming capabilities.



Wiring diagram is for reference only. Please refer to dimmer wiring specifications sheet for accurate directions.



### Single Tap Models

| Item Number    | Output Voltage | Wattage | Wet Location  | Minimum Load | Dimensions (L x W x H)  | Class 2 |
|----------------|----------------|---------|---------------|--------------|-------------------------|---------|
| AL-98-10-12030 | 12V DC         | 30W     | Yes (NEMA 4X) | 10%          | 6.50 x 3.72 x 1.02 in.  | Yes     |
| AL-98-10-12060 | 12V DC         | 60W     | Yes (NEMA 4X) | 10%          | 7.40 x 3.72 x 1.02 in.  | Yes     |
| AL-98-10-12120 | 12V DC         | 120W    | Yes (NEMA 4X) | 10%          | 8.66 x 3.72 x 1.57 in.  | No      |
| AL-98-10-24030 | 24V DC         | 30W     | Yes (NEMA 4X) | 10%          | 6.50 x 3.72 x 1.02 in.  | Yes     |
| AL-98-10-24060 | 24V DC         | 60W     | Yes (NEMA 4X) | 10%          | 7.40 x 3.72 x 1.02 in.  | Yes     |
| AL-98-10-24096 | 24V DC         | 96W     | Yes (NEMA 4X) | 10%          | 8.66 x 3.72 x 1.57 in.  | Yes     |
| AL-98-10-24150 | 24V DC         | 150W    | Yes (NEMA 4X) | 10%          | 10.24 x 4.13 x 1.77 in. | No      |
| AL-98-10-24200 | 24V DC         | 200W    | Yes (NEMA 4X) | 10%          | 10.24 x 4.13 x 1.77 in. | No      |
| AL-98-10-24300 | 24V DC         | 300W    | Yes (NEMA 4X) | 10%          | 10.94 x 4.33 x 1.77 in. | No      |

### Class 2 Compliant Multi-Tap Models

| Item Number       | Output Voltage | Wattage | Wet Location  | Minimum Load | Dimensions (L x W x H)  | Class 2 |
|-------------------|----------------|---------|---------------|--------------|-------------------------|---------|
| AL-98-10-12300-MT | 12V DC         | 300W    | Yes (NEMA 4X) | 10%          | 11.85 x 4.33 x 1.77 in. | Yes     |
| AL-98-10-24192-MT | 24V DC         | 192W    | Yes (NEMA 4X) | 10%          | 10.94 x 4.33 x 1.77 in. | Yes     |
| AL-98-10-24288-MT | 24V DC         | 288W    | Yes (NEMA 4X) | 10%          | 11.85 x 4.33 x 1.77 in. | Yes     |

Note: PowerFactor assumes 80% load.  
Inspectors prefer power supply to be used with junction box.  
For dimmer compatibility, refer to drivers specification sheet.

# ALLOY LED® Specifications

## RECOMMENDED POWER SUPPLIES (SOLD SEPARATELY)

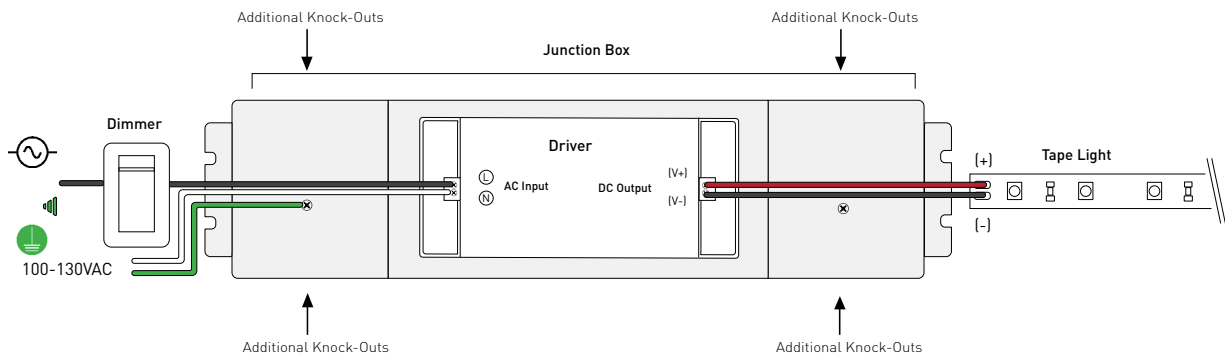
Alloy LED Primavolt® No Minimum Load Dimmable Power Supplies with ETL Listed Junction Box  
Code-compliant power supply with versatile and smooth dimming capabilities. Compatible with Incandescent, On/Off, ELV and MLV dimmers.



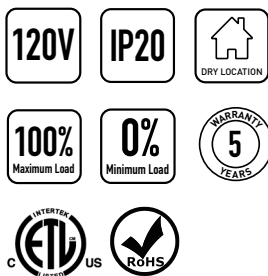
Dry Location Model  
White model for 60W and lower



Wet Location Model  
Black model for 80W and higher



Wiring diagram is for reference only. Please refer to dimmer wiring specifications sheet for accurate directions.



| Item Number       | Output Voltage | Wattage | Minimum Load | Dimensions (Junction Box) (L x W x H) | Class 2 |
|-------------------|----------------|---------|--------------|---------------------------------------|---------|
| AL-98-03-12024-NM | 12V DC         | 24W     | 0%           | 13.78 x 3.03 x 1.46 in.               | Yes     |
| AL-98-03-12048-NM | 12V DC         | 48W     | 0%           | 13.78 x 3.03 x 1.46 in.               | Yes     |
| AL-98-03-12060-NM | 12V DC         | 60W     | 0%           | 13.78 x 3.03 x 1.46 in.               | Yes     |
| AL-98-03-12080-NM | 12V DC         | 80W     | 0%           | 14.96 x 3.03 x 2.24 in.               | No      |
| AL-98-03-12120-NM | 12V DC         | 120W    | 0%           | 14.96 x 3.03 x 2.24 in.               | No      |
| AL-98-03-24024-NM | 24V DC         | 24W     | 0%           | 13.78 x 3.03 x 1.46 in.               | Yes     |
| AL-98-03-24048-NM | 24V DC         | 48W     | 0%           | 13.78 x 3.03 x 1.46 in.               | Yes     |
| AL-98-03-24060-NM | 24V DC         | 60W     | 0%           | 13.78 x 3.03 x 1.46 in.               | Yes     |
| AL-98-03-24080-NM | 24V DC         | 80W     | 0%           | 14.96 x 3.03 x 2.24 in.               | Yes     |
| AL-98-03-24096-NM | 24V DC         | 96W     | 0%           | 14.96 x 3.03 x 2.24 in.               | Yes     |
| AL-98-03-24150-NM | 24V DC         | 150W    | 0%           | 15.98 x 3.43 x 2.36 in.               | No      |
| AL-98-03-24200-NM | 24V DC         | 200W    | 0%           | 15.98 x 3.43 x 2.36 in.               | No      |

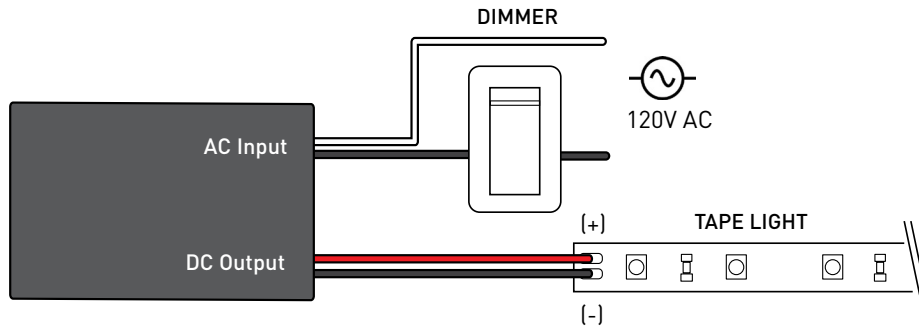
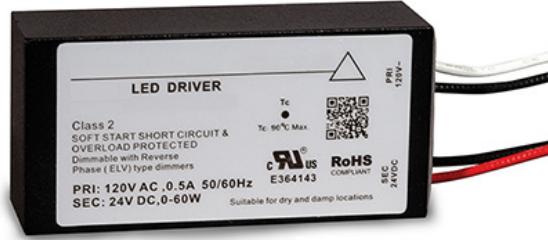
Note: Alloy LED strongly recommends using Listed Class 2 power supplies for all installations. Always install in accordance with local and national electrical code regulations. Inspectors prefer power supply to be used with junction box. For dimmer compatibility, refer to drivers specification sheet.

# ALLOY LED® Specifications

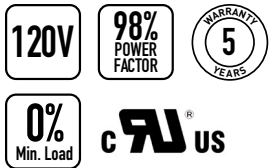
## RECOMMENDED POWER SUPPLIES (SOLD SEPARATELY)

### ELV Dimmable Power Supplies for Remote Enclosures

The drivers are derated, but when installed in a small enclosure with no heatsink or air circulation, we recommend a maximum load of 40W.



Wiring diagram is for reference only. Please refer to dimmer wiring specifications sheet for accurate directions.



| Item Number    | Output | Wattage | Dimensions (L x W x H) | Class 2 |
|----------------|--------|---------|------------------------|---------|
| AL-98-08-12060 | 12V DC | 60W     | 2.66 x 1.30 x 0.83 in. | Yes     |
| AL-98-08-24060 | 24V DC | 60W     | 2.66 x 1.30 x 0.83 in. | Yes     |

Note: Inspectors prefer power supply to be used with junction box.  
For dimmer compatibility, refer to drivers specification sheet.

# ALLOY LED<sup>®</sup> Specifications

## DIMMING ACCESSORIES (SOLD SEPARATELY)

### Lutron<sup>®</sup> Dimming Accessories

By participating in Lutron's OEM Advantage program, Alloy LED is able to offer a range of the highest quality low voltage power supplies and selected controls on the market.



Hi-lume Premier  
0.1% EcoSystem /  
3-wire LED Driver  
(96W 24VDC)



Hi-lume 1% LED Driver 40W  
- EcoSystem / 3-wire control  
- 2-wire 120V forward  
phase control



Lutron Vive PowPak RF Module  
- RF module for EcoSystem LED  
driver control  
- Use with the Lutron EcoSystem  
drivers shown to "Vive-enable"  
Alloy LED products

### Lutron<sup>®</sup> Hi-lume LED Drivers

| Item Number          | Output | Wattage | Minimum Load | Class 2 |
|----------------------|--------|---------|--------------|---------|
| AL-98-07-12040       | 12V DC | 40W     | N/A          | Yes     |
| AL-98-07-12040-3WIRE | 12V DC | 40W     | N/A          | Yes     |
| AL-98-07-24040       | 24V DC | 40W     | N/A          | Yes     |
| AL-98-07-24040-3WIRE | 24V DC | 40W     | N/A          | Yes     |
| AL-98-07-24096-3WIRE | 24V DC | 96W     | N/A          | Yes     |

### Lutron<sup>®</sup> Controls

| Item Number          | Description                       | Voltage |
|----------------------|-----------------------------------|---------|
| AL-98-07-9901        | EcoSystem Control Module          | N/A     |
| AL-98-07-9901-8      | EcoSystem Control Module - 8 pack | N/A     |
| AL-98-07-9950        | CL Dimmer                         | 120V AC |
| AL-98-07-9950-FPLATE | CL Dimmer faceplate               | N/A     |

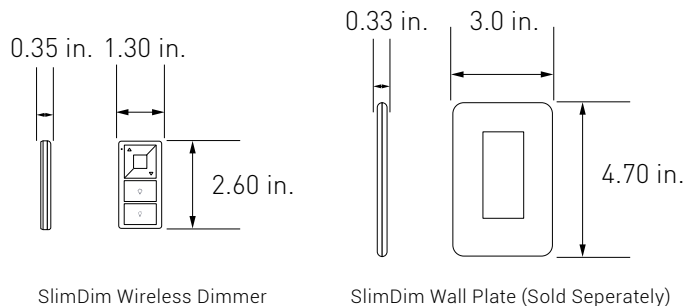
## DIMMING ACCESSORIES (SOLD SEPARATELY)

### Dimmers and Switches

#### SlimDim Wireless Dimmer Switch



Using long-range RF technology, these LED dimmers connect wirelessly to a receiver, offering freedom to mount anywhere. Can also be used as a fob for mobile, hand-held control.

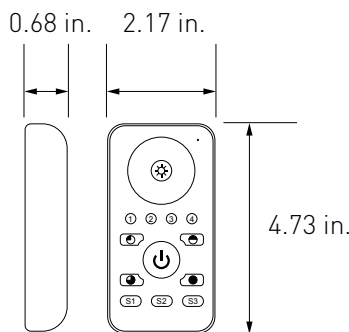
|                       |  |
|-----------------------|--|
| AL-70-01-0001         | SlimDim Wireless Dimmer  |
| AL-70-01-0002         | Single Color Receiver (96W max.) (sold separately)  |
| AL-98-07-9950 -FPLATE | SlimDim Wall Plate (sold separately)   |



#### Remote Control Dimmer Switch

Provides full dimming and on/off control, and includes a touch wheel that allows for direct visual selection of brightness. It can also operate up to four independent zones.

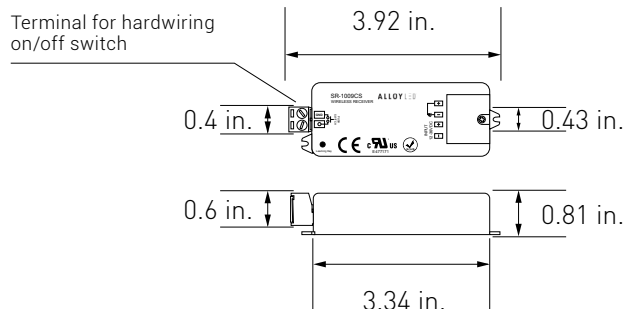
|                  |   |
|------------------|---|
| AL-60-03-0001    | Remote Control Dimmer Switch  |
| AL-70-01-0002    | Single Channel Receiver (sold separately)          |
| AL-60-03-0004-V2 | Wireless Receiver (RGB & RGBW) (sold separately)  |



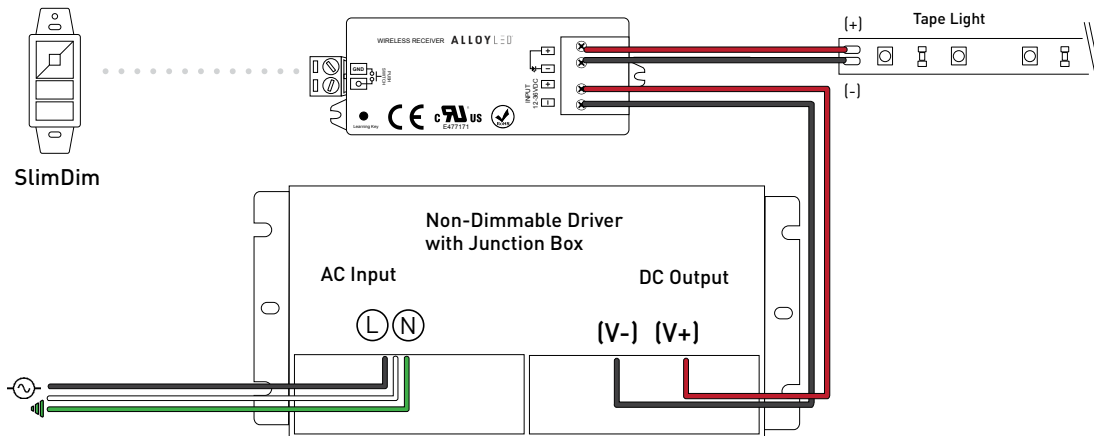
#### Single Channel Wireless Receiver

Pair with the Remote Control Dimmer Switch or the SlimDim Wireless Dimmer to dim PrimaLine tape lights. Use one remote to make independent lighting zones with multiple receivers with certain controllers.

|               |                                  |
|---------------|----------------------------------|
| AL-70-01-0002 | Single Channel Wireless Receiver |
|---------------|----------------------------------|



## WIRING DIAGRAM

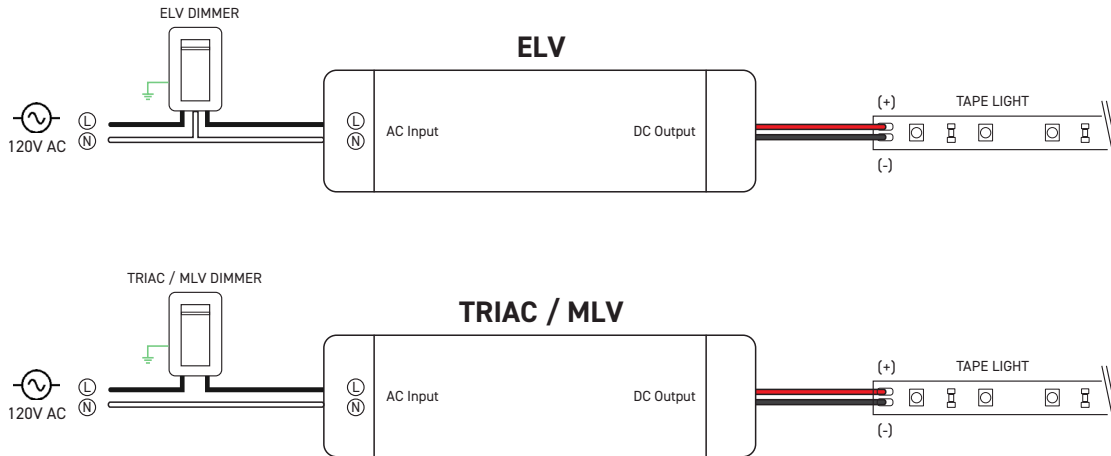


# ALLOY LED® Specifications

## RECOMMENDED POWER SUPPLIES (SOLD SEPARATELY)

### Alloy LED TRIAC/MLV/ELV Dimmable Drivers for Remote Locations

Offers stable power in even in the most remote settings. Compatibility with TRIAC, ELV, or MLV dimmers.



Wiring diagram is for reference only. Please refer to dimmer wiring specifications sheet for accurate directions.

**120V**

**100%**  
Maximum Load

**20%**  
Min. Load

DRY LOCATION

**UL** **US**  
LISTED

**CLASS 2**

**CLASS P**

**TYPE HL**

**SELV**

**5**  
YEARS

| Item Number    | Output Voltage | Wattage | Dimensions (L x W x H) | Class 2 |
|----------------|----------------|---------|------------------------|---------|
| AL-98-09-12060 | 12V DC         | 60W     | 3.31 x 1.57 x 0.98     | Yes     |
| AL-98-09-24096 | 24V DC         | 96W     | 3.31 x 1.57 x 0.98     | Yes     |

Note: Alloy LED strongly recommends using Listed Class 2 power supplies for all installations. Always install in accordance with local and national electrical code regulations. Inspectors prefer power supply to be used with junction box. For dimmer compatibility, refer to drivers specification sheet.