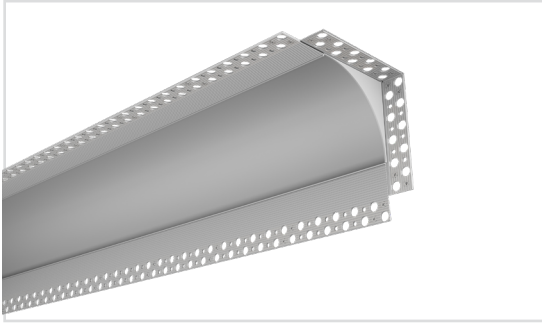


Mudr ArcCove 4 in. - Channel



Mudr ArcCove 4 in. is a compact corner-mounted recessed cove channel with an illuminated reveal. It features soft indirect light designed to illuminate corners at wall-to-wall and wall-to-ceiling intersections and is compatible with 5/8 in. drywall.

- Easy installation just place against the wall or ceiling and screw into place
- Designed to easily wrap around corners without the need for soldering or corner connectors that can create dark spots
- Linking system easily joins and aligns profile sections
- Compatible with 5/8 in. drywall
- Paintable surface ensures seamless integration with any decor or color palette
- Sold in complete kits (4 or 7 ft.) to create a finished fixture in the field or custom lengths available through our build-to-order program



Edge lit
tapes only

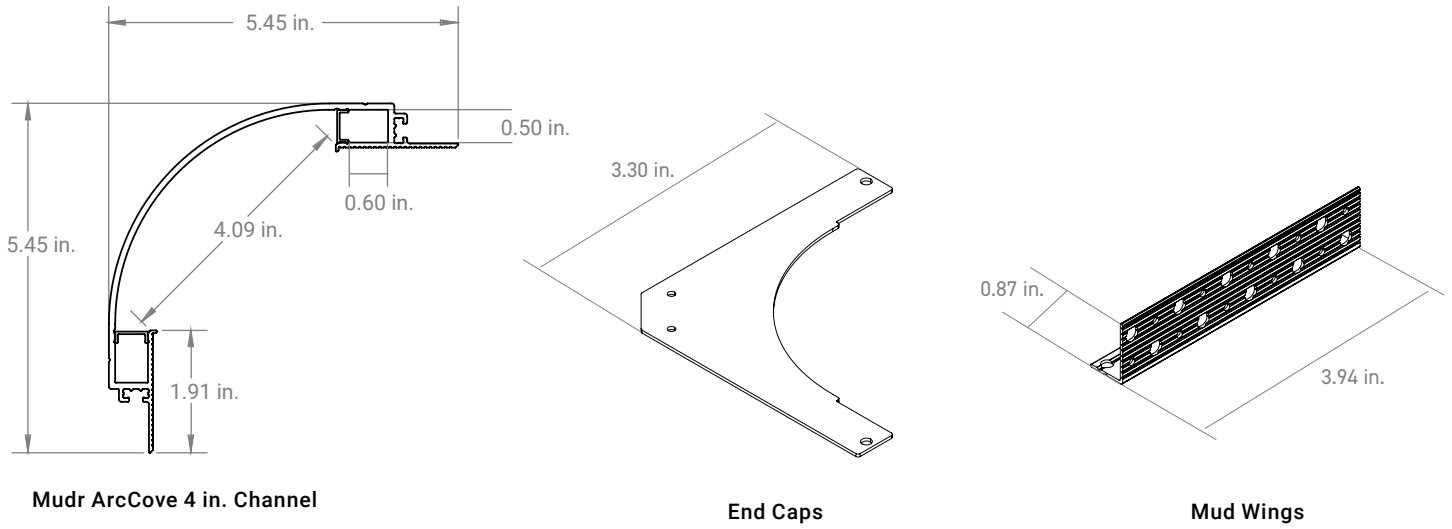
PRODUCT INFORMATION

Item Number	Description
AL-50-34-0111-KIT	Mudr ArcCove 4 in. - 4 ft. Kit - Mud-in Flush Inside Corner Perimeter Profile for 5/8 in. Drywall - 4 in. Illuminated Opening - Anodized Aluminum Finish: 1 Anodized Aluminum Channel, 2 Frosted Diffuser Covers
AL-50-34-0115-KIT	Mudr ArcCove 4 in. - 7 ft. Kit - Mud-in Flush Inside Corner Perimeter Profile for 5/8 in. Drywall - 4 in. Illuminated Opening - Anodized Aluminum Finish: 1 Anodized Aluminum Channel, 2 Frosted Diffuser Covers
AL-50-34-9912-CLR	Mudr ArcCove 4 in. - Clear PC Cover, 4 ft.
AL-50-34-9915-CLR	Mudr ArcCove 4 in. - Clear PC Cover, 7 ft.
AL-50-34-9951-AL	Mudr ArcCove 4 in. - Aluminum Finish End Caps Pair Pack: 2 Curved End Cap/Screws, 4 Mud-In End Caps/Screws
AL-50-34-9992-AL	Mudr ArcCove 4 in. - Straight Linker - One Pack. Includes 2 Set Screws and Allen Key for Easy Installation
AL-50-34-9993-AL	Mudr ArcCove 4 in. - L Shaped 90 Degree Linker for Mitred Corners - One Pack. Includes 2 Set Screws and Allen Key for Easy Installation
AL-50-34-9994-AL	Mudr ArcCove 4 in. - L Shaped 90 Degree Flat Plate Linker for Beveled Corners - One Pack. Includes 2 Set Screws and Allen Key for Easy Installation

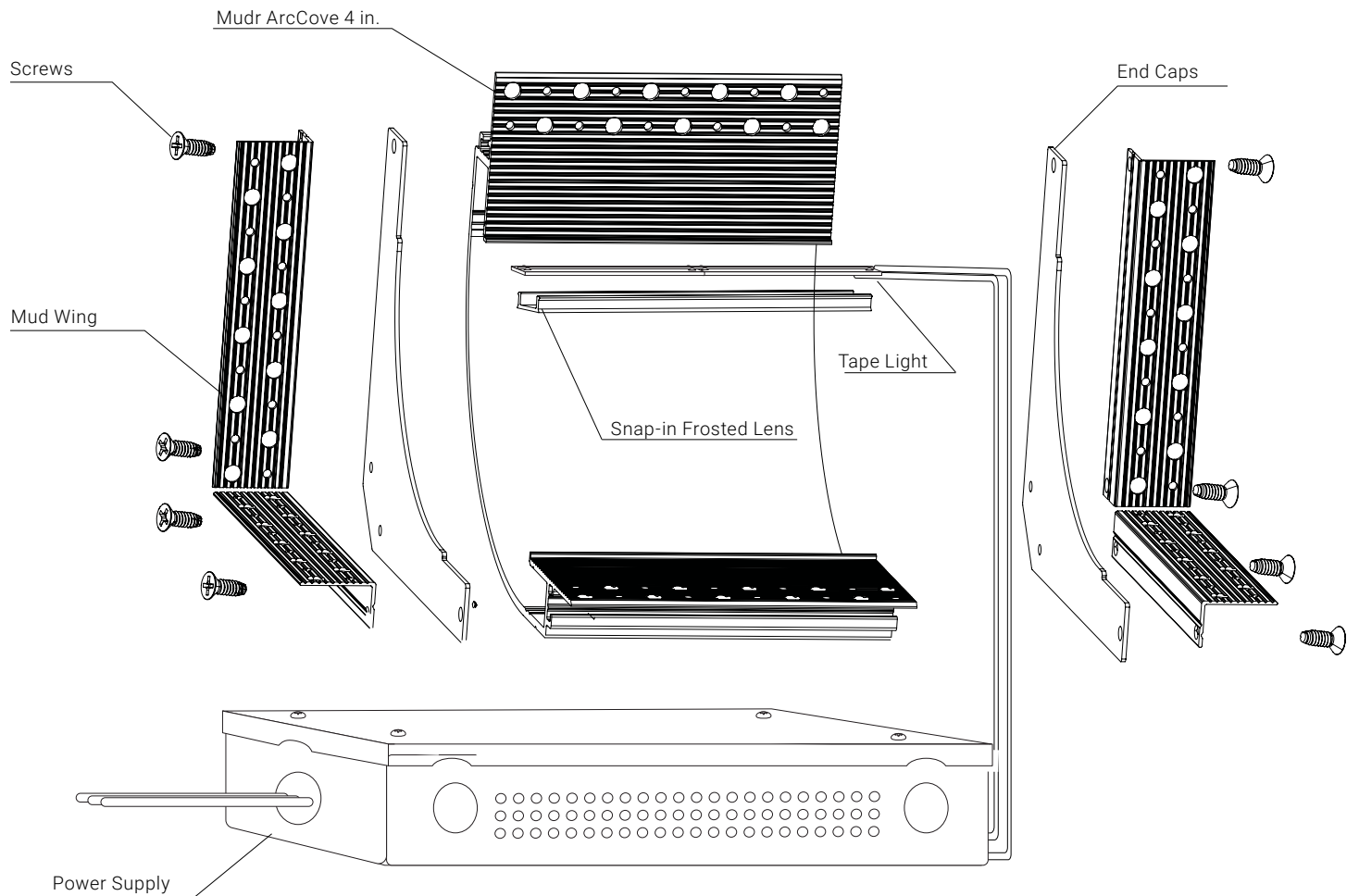
This channel is compatible with select tape lights, for full compatibility see our guide: [HERE](#).

ALLOY LED® Specifications

DIMENSIONS



COMPLETE SOLUTION



ALLOY LED[®] Specifications

RECOMMENDED TAPE LIGHT (SOLD SEPARATELY)

Low Output

PrimaLine 1.5 XT Wet Location LED Tape Light



24V DC / Maximum Run = 40 ft.				
20 ft. Spool	40 ft. Spool	Color Temperature	Lumens per Foot	CRI
AL-01-04-2471	AL-01-04-2481	● 2700K	90	97
AL-01-04-2472	AL-01-04-2482	● 3000K	101	95
AL-01-04-2473	AL-01-04-2483	○ 4200K	110	95
AL-01-04-2474	AL-01-04-2484	● 5000K	113	95
AL-01-04-2478	AL-01-04-2488	● 3500K	103	96

Medium Output

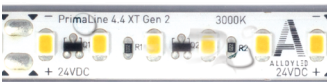
PrimaLine 3 XT Wet Location LED Tape Light



24V DC / Maximum Run = 40 ft. / UL Maximum Run = 32 ft.				
20 ft. Spool	40 ft. Spool	Color Temperature	Lumens per Foot	CRI
AL-01-05-2471	AL-01-05-2481	● 2700K	167	96
AL-01-05-2472	AL-01-05-2482	● 3000K	186	96
AL-01-05-2473	AL-01-05-2483	○ 4200K	192	95
AL-01-05-2474	AL-01-05-2484	● 5000K	222	95
AL-01-05-2478	AL-01-05-2488	● 3500K	211	96

High Output

PrimaLine 4.4 XT Gen 2 Wet Location LED Tape Light



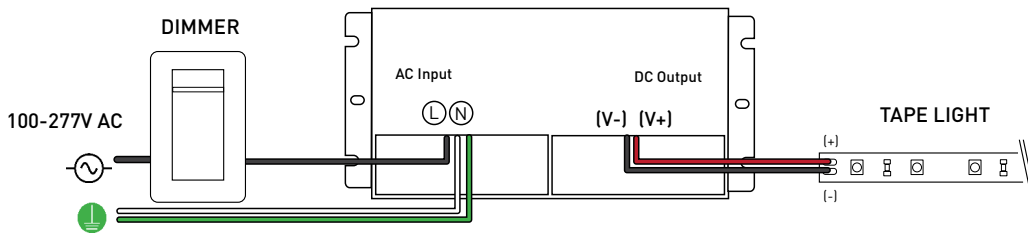
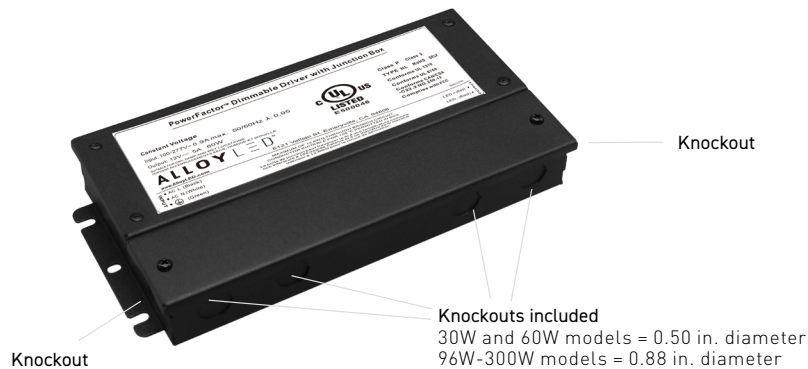
24V DC / Maximum Run = 40 ft. / UL Maximum Run = 21 ft.				
20 ft. Spool	40 ft. Spool	Color Temperature	Lumens per Foot	CRI
AL-01-16-2471	AL-01-16-2481	● 2700K	313	98
AL-01-16-2472	AL-01-16-2482	● 3000K	332	97
AL-01-16-2473	AL-01-16-2483	○ 4200K	349	95
AL-01-16-2474	AL-01-16-2484	● 5000K	364	95
AL-01-16-2478	AL-01-16-2488	● 3500K	309	97

ALLOY LED® Specifications

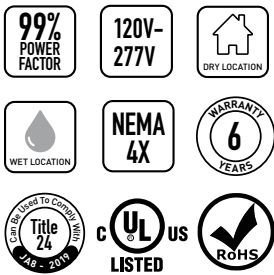
RECOMMENDED POWER SUPPLIES (SOLD SEPARATELY)



Alloy LED PowerFactor™ Dimmable Power Supplies with Integrated UL Listed Junction Box
Compact, highly efficient, and code-compliant power supply with versatile and smooth dimming capabilities.



Wiring diagram is for reference only. Please refer to dimmer wiring specifications sheet for accurate directions.



Single Tap Models

Item Number	Output Voltage	Wattage	Wet Location	Minimum Load	Dimensions (L x W x H)	Class 2
AL-98-10-12030	12V DC	30W	Yes (NEMA 4X)	10%	6.50 x 3.72 x 1.02 in.	Yes
AL-98-10-12060	12V DC	60W	Yes (NEMA 4X)	10%	7.40 x 3.72 x 1.02 in.	Yes
AL-98-10-12120	12V DC	120W	Yes (NEMA 4X)	10%	8.66 x 3.72 x 1.57 in.	No
AL-98-10-24030	24V DC	30W	Yes (NEMA 4X)	10%	6.50 x 3.72 x 1.02 in.	Yes
AL-98-10-24060	24V DC	60W	Yes (NEMA 4X)	10%	7.40 x 3.72 x 1.02 in.	Yes
AL-98-10-24096	24V DC	96W	Yes (NEMA 4X)	10%	8.66 x 3.72 x 1.57 in.	Yes
AL-98-10-24150	24V DC	150W	Yes (NEMA 4X)	10%	10.24 x 4.13 x 1.77 in.	No
AL-98-10-24200	24V DC	200W	Yes (NEMA 4X)	10%	10.24 x 4.13 x 1.77 in.	No
AL-98-10-24300	24V DC	300W	Yes (NEMA 4X)	10%	10.94 x 4.33 x 1.77 in.	No

Class 2 Compliant Multi-Tap Models

Item Number	Output Voltage	Wattage	Wet Location	Minimum Load	Dimensions (L x W x H)	Class 2
AL-98-10-12300-MT	12V DC	300W	Yes (NEMA 4X)	10%	11.85 x 4.33 x 1.77 in.	Yes
AL-98-10-24192-MT	24V DC	192W	Yes (NEMA 4X)	10%	10.94 x 4.33 x 1.77 in.	Yes
AL-98-10-24288-MT	24V DC	288W	Yes (NEMA 4X)	10%	11.85 x 4.33 x 1.77 in.	Yes

Note: PowerFactor assumes 80% load.
Inspectors prefer power supply to be used with junction box.
For dimmer compatibility, refer to drivers specification sheet.

ALLOY LED® Specifications

RECOMMENDED POWER SUPPLIES (SOLD SEPARATELY)

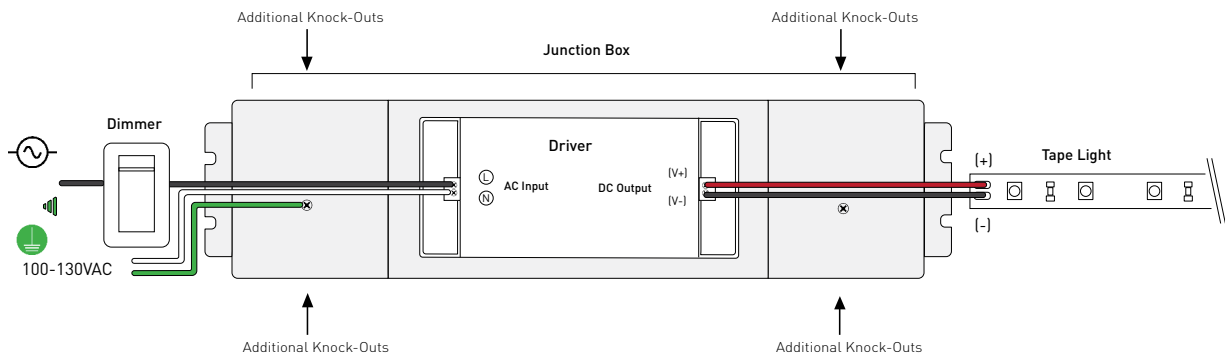
Alloy LED Primavolt® No Minimum Load Dimmable Power Supplies with ETL Listed Junction Box
Code-compliant power supply with versatile and smooth dimming capabilities. Compatible with Incandescent, On/Off, ELV and MLV dimmers.



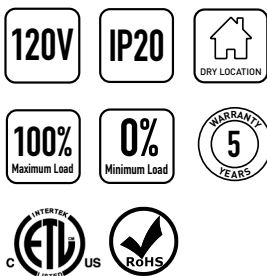
Dry Location Model
White model for 60W and lower



Wet Location Model
Black model for 80W and higher



Wiring diagram is for reference only. Please refer to dimmer wiring specifications sheet for accurate directions.



Item Number	Output Voltage	Wattage	Minimum Load	Dimensions (Junction Box) (L x W x H)	Class 2
AL-98-03-12024-NM	12V DC	24W	0%	13.78 x 3.03 x 1.46 in.	Yes
AL-98-03-12048-NM	12V DC	48W	0%	13.78 x 3.03 x 1.46 in.	Yes
AL-98-03-12060-NM	12V DC	60W	0%	13.78 x 3.03 x 1.46 in.	Yes
AL-98-03-12080-NM	12V DC	80W	0%	14.96 x 3.03 x 2.24 in.	No
AL-98-03-12120-NM	12V DC	120W	0%	14.96 x 3.03 x 2.24 in.	No
AL-98-03-24024-NM	24V DC	24W	0%	13.78 x 3.03 x 1.46 in.	Yes
AL-98-03-24048-NM	24V DC	48W	0%	13.78 x 3.03 x 1.46 in.	Yes
AL-98-03-24060-NM	24V DC	60W	0%	13.78 x 3.03 x 1.46 in.	Yes
AL-98-03-24080-NM	24V DC	80W	0%	14.96 x 3.03 x 2.24 in.	Yes
AL-98-03-24096-NM	24V DC	96W	0%	14.96 x 3.03 x 2.24 in.	Yes
AL-98-03-24150-NM	24V DC	150W	0%	15.98 x 3.43 x 2.36 in.	No
AL-98-03-24200-NM	24V DC	200W	0%	15.98 x 3.43 x 2.36 in.	No

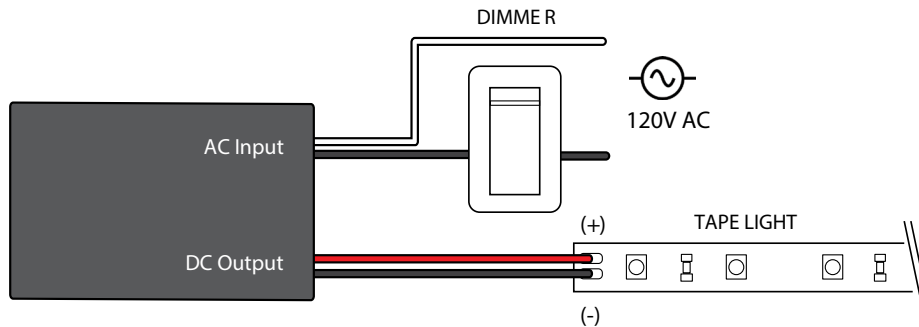
Note: Alloy LED strongly recommends using Listed Class 2 power supplies for all installations. Always install in accordance with local and national electrical code regulations. Inspectors prefer power supply to be used with junction box. For dimmer compatibility, refer to drivers specification sheet.

ALLOY LED® Specifications

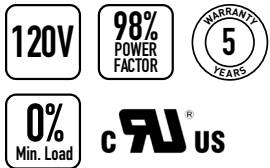
RECOMMENDED POWER SUPPLIES (SOLD SEPARATELY)

ELV Dimmable Power Supplies for Remote Enclosures

The drivers are derated, but when installed in a small enclosure with no heatsink or air circulation, we recommend a maximum load of 40W.



Wiring diagram is for reference only. Please refer to dimmer wiring specifications sheet for accurate directions.



Item Number	Output	Wattage	Dimensions (L x W x H)	Class 2
AL-98-08-12060	12V DC	60W	2.66 x 1.30 x 0.83 in.	Yes
AL-98-08-24060	24V DC	60W	2.66 x 1.30 x 0.83 in.	Yes

Note: Inspectors prefer power supply to be used with junction box.
For dimmer compatibility, refer to drivers specification sheet.

ALLOY LED[®] Specifications

DIMMING ACCESSORIES (SOLD SEPARATELY)

Lutron[®] Dimming Accessories

By participating in Lutron's OEM Advantage program, Alloy LED is able to offer a range of the highest quality low voltage power supplies and selected controls on the market.



Hi-lume Premier
0.1% EcoSystem /
3-wire LED Driver
(96W 24VDC)



Hi-lume 1% LED Driver 40W
- EcoSystem / 3-wire control
- 2-wire 120V forward
phase control



Lutron Vive PowPak RF Module
- RF module for EcoSystem LED
driver control
- Use with the Lutron EcoSystem
drivers shown to "Vive-enable"
Alloy LED products

Lutron[®] Hi-lume LED Drivers

Item Number	Output	Wattage	Minimum Load	Class 2
AL-98-07-12040	12V DC	40W	N/A	Yes
AL-98-07-12040-3WIRE	12V DC	40W	N/A	Yes
AL-98-07-24040	24V DC	40W	N/A	Yes
AL-98-07-24040-3WIRE	24V DC	40W	N/A	Yes
AL-98-07-24096-3WIRE	24V DC	96W	N/A	Yes

Lutron[®] Controls

Item Number	Description	Voltage
AL-98-07-9901	EcoSystem Control Module	N/A
AL-98-07-9901-8	EcoSystem Control Module - 8 pack	N/A
AL-98-07-9950	CL Dimmer	120V AC
AL-98-07-9950-FPLATE	CL Dimmer faceplate	N/A

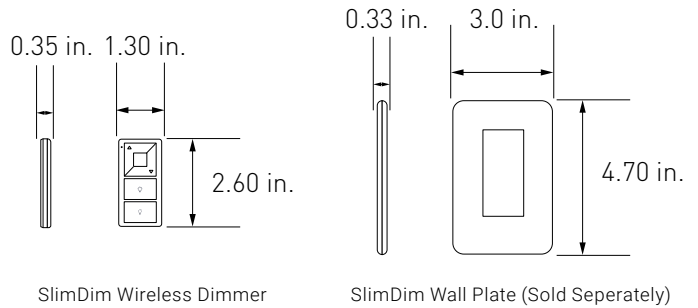
DIMMING ACCESSORIES (SOLD SEPARATELY)

Dimmers and Switches

SlimDim Wireless Dimmer Switch



Using long-range RF technology, these LED dimmers connect wirelessly to a receiver, offering freedom to mount anywhere. Can also be used as a fob for mobile, hand-held control.

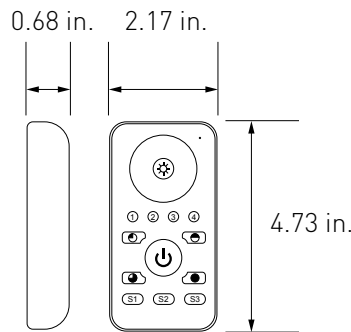
AL-70-01-0001	SlimDim Wireless Dimmer
AL-70-01-0002	Single Color Receiver (96W max.) (sold separately) 
AL-98-07-9950 -FPLATE	SlimDim Wall Plate (sold separately)



Remote Control Dimmer Switch

Provides full dimming and on/off control, and includes a touch wheel that allows for direct visual selection of brightness. It can also operate up to four independent zones.

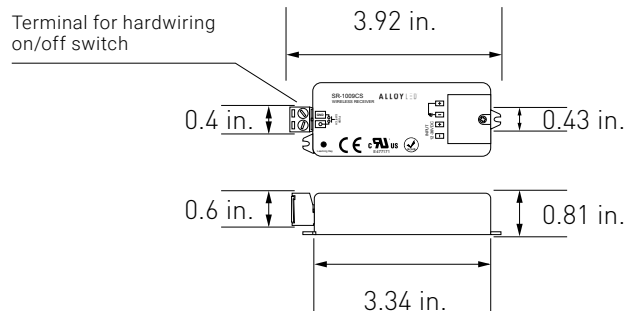
AL-60-03-0001	Remote Control Dimmer Switch
AL-70-01-0002	Single Channel Receiver (sold separately) 
AL-60-03-0004-V2	Wireless Receiver (RGB & RGBW) (sold separately) 



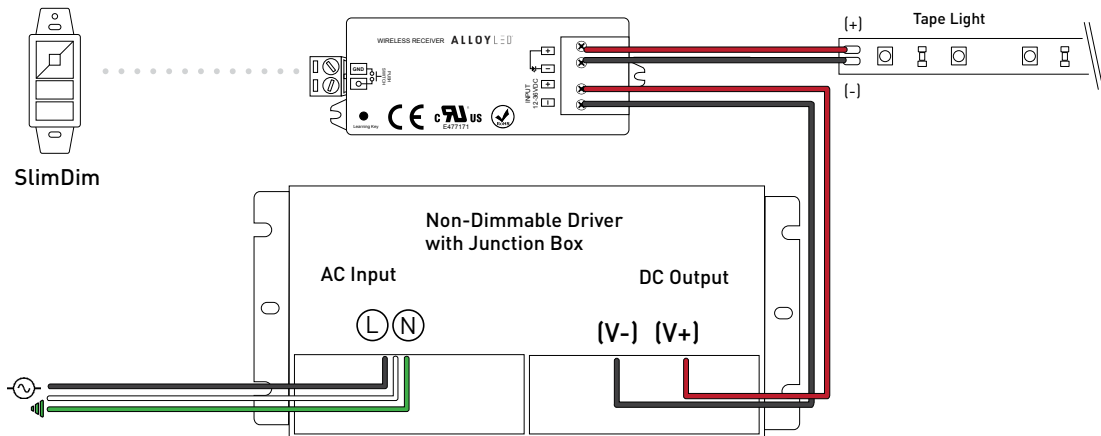
Single Channel Wireless Receiver

Pair with the Remote Control Dimmer Switch or the SlimDim Wireless Dimmer to dim Primaline tape lights. Use one remote to make independent lighting zones with multiple receivers with certain controllers.

AL-70-01-0002	Single Channel Wireless Receiver
---------------	----------------------------------



WIRING DIAGRAM

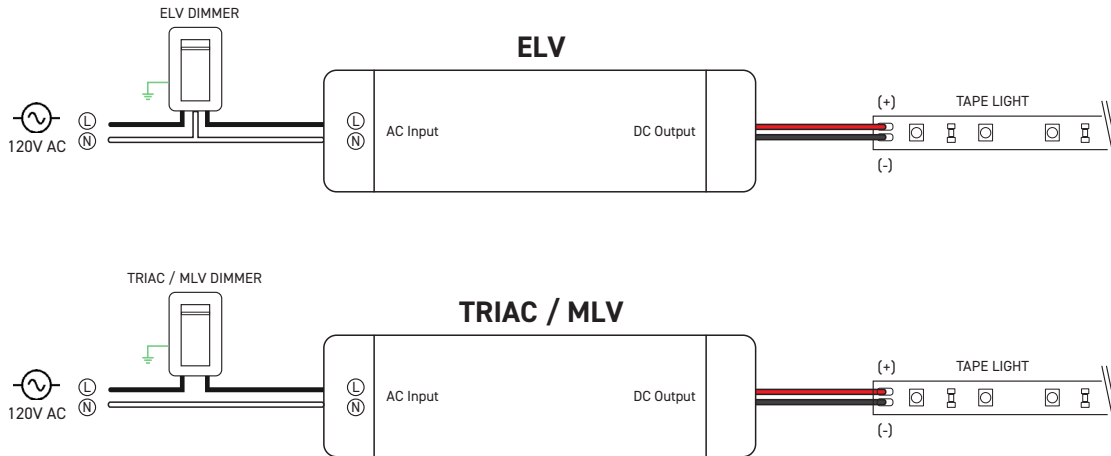
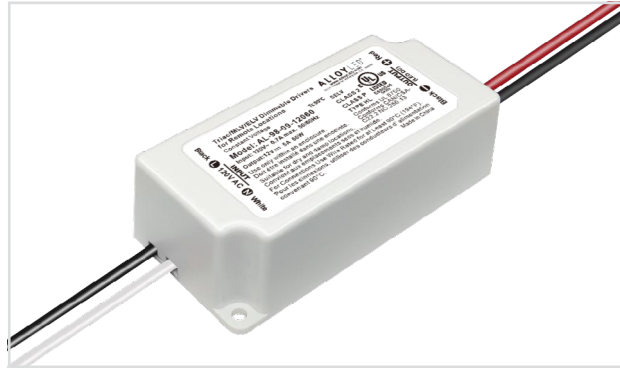


ALLOY LED® Specifications

RECOMMENDED POWER SUPPLIES (SOLD SEPARATELY)

Alloy LED TRIAC/MLV/ELV Dimmable Drivers for Remote Locations

Offers stable power in even in the most remote settings. Compatibility with TRIAC, ELV, or MLV dimmers.



Wiring diagram is for reference only. Please refer to dimmer wiring specifications sheet for accurate directions.

120V

100%
Maximum Load

20%
Min. Load

DRY LOCATION

UL US LISTED

CLASS 2

CLASS P

TYPE HL

SELV

WARRANTY 5 YEARS

Item Number	Output Voltage	Wattage	Dimensions (L x W x H)	Class 2
AL-98-09-12060	12V DC	60W	3.31 x 1.57 x 0.98 in.	Yes
AL-98-09-24096	24V DC	96W	3.31 x 1.57 x 0.98 in.	Yes

Note: Alloy LED strongly recommends using Listed Class 2 power supplies for all installations. Always install in accordance with local and national electrical code regulations. Inspectors prefer power supply to be used with junction box. For dimmer compatibility, refer to drivers specification sheet.