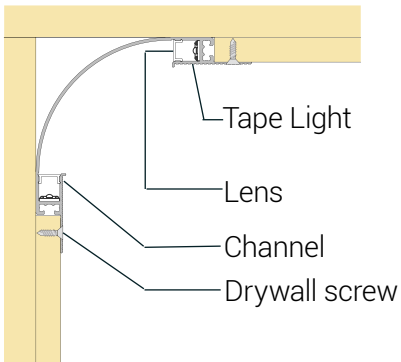


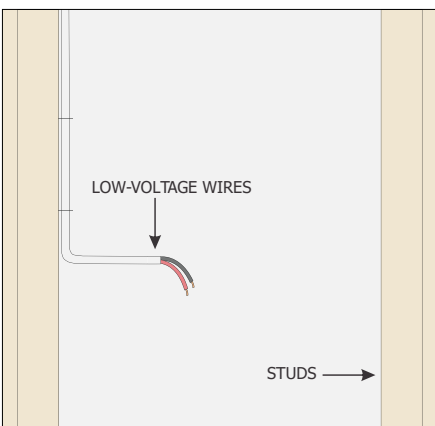
ALLOY LED® Installation Instructions

Mudr ArcCove 3 in.

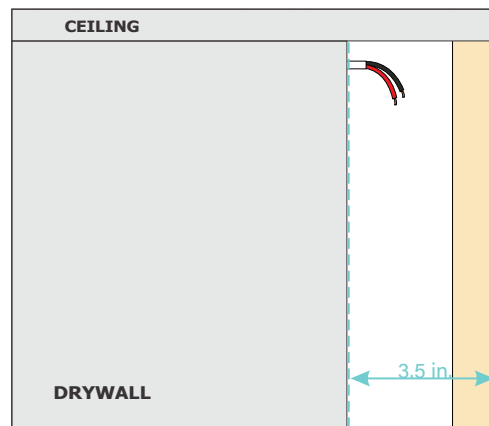


1. Before installing the tape light in the channel, test the connection to power. If using a full spool of tape, connect one end of the tape to DC power and turn power on. If using a cut section of tape, attach the connector to the tape and then connect to DC power.
2. Position the 24V DC Class 2 power supply in a suitable location within 30 feet of the desired fixture location.

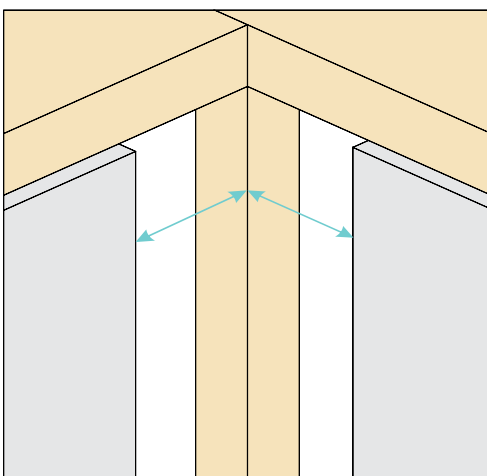
Note: Longer distances are acceptable when using a thicker 12 AWG wire.



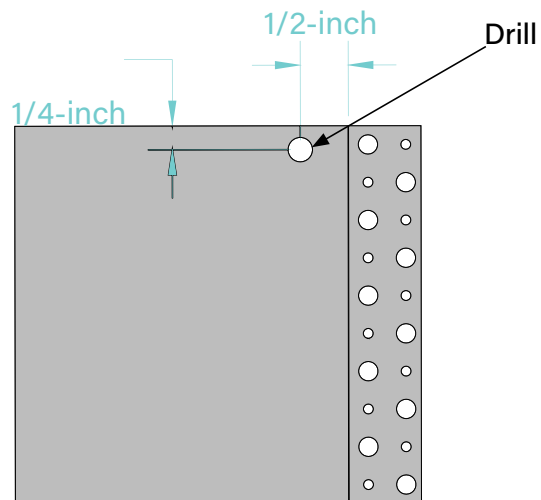
3. Bring 24V low-voltage in-wall rated wires to the desired fixture location.



4. Cut a 3.5 in. opening in the drywall where you would like to mount Mudr ArcCove 3 in.



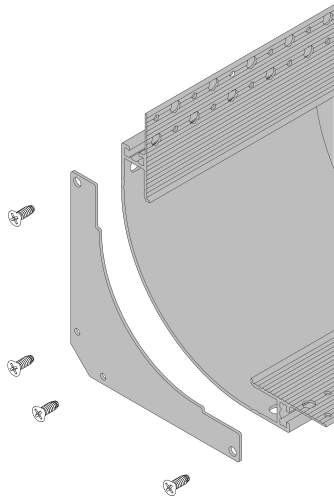
5. Cut another 3.5 in. opening in the drywall next to your previous cut.



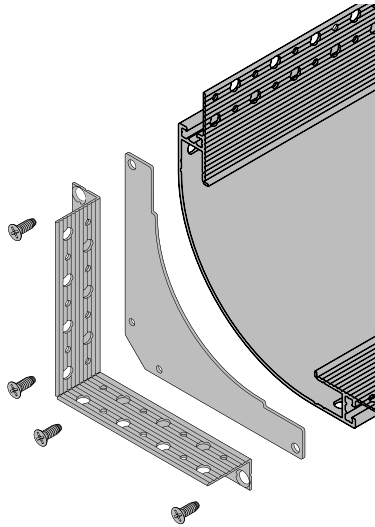
6. Drill two 1/4 inch holes in the back of Mudr ArcCove 3 in. channel at the location indicated above. One hole on each side. These holes will be used for power feeds.

ALLOY LED® Installation Instructions

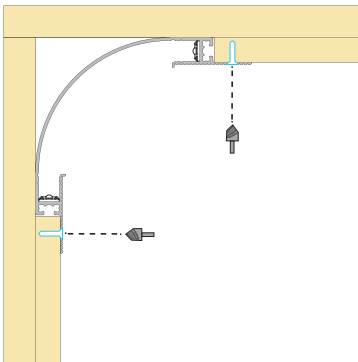
Mudr ArcCove 3 in.



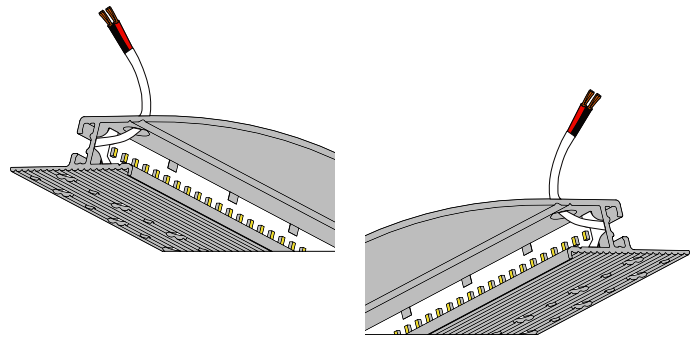
7. Assemble the end caps and mud-in flanges with the provided Philip head screws on both ends using a #2 screw driver.



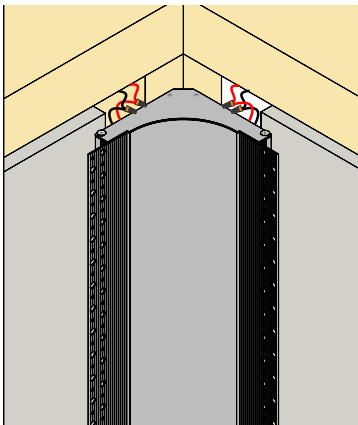
7a. Assemble mudwing to the endcaps for short runs configurations sharp edges.



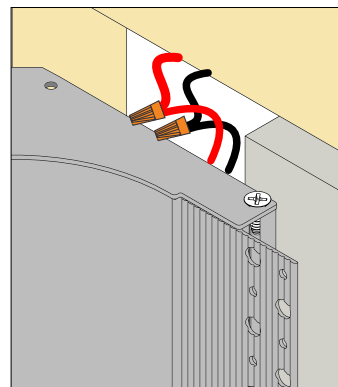
8. Carefully countersink the holes in the mud-in flanges where the drywall screws will be placed.



9. Remove the adhesive protector in the back of the LED tape light. Apply the tape light in both sides of the channel as indicated above. Pass the lead wire through the 1/4 in. hole.

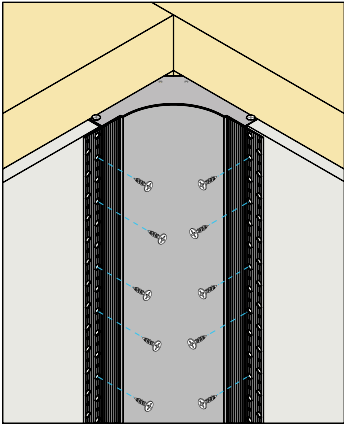


10. Connect tapelight lead to low-voltage in-wall rated wire. Red is positive (+) and black is negative (-).

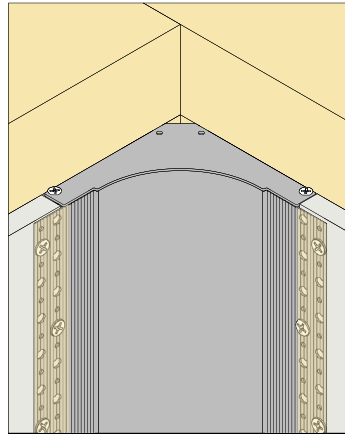


11. Pass the connected low-voltage wires through the opening in the drywall cutout.

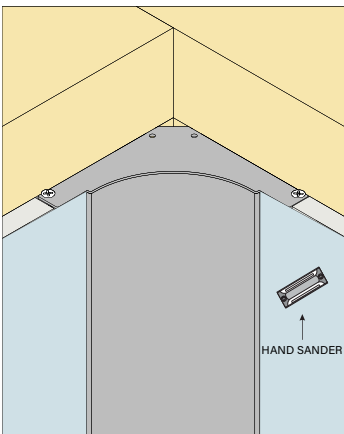
Mudr ArcCove 3 in.



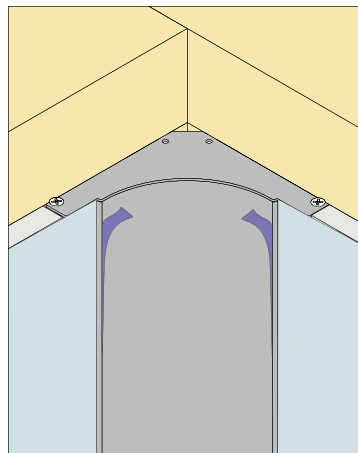
12. Secure the fixture to the drywall using the drywall screws. The suggested screw spacing is 4 inches.



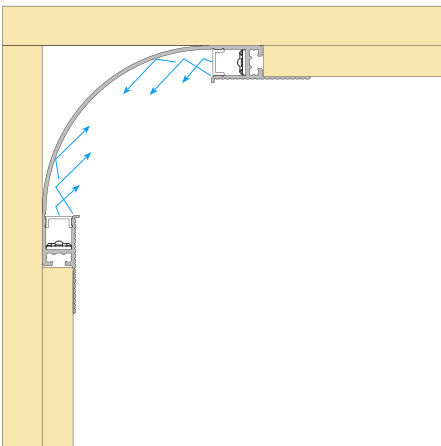
13. Apply drywall tape along the edges of the fixture to prevent cracking of joint compound after installation.



14. Apply drywall joint compound over the fixture's flanges. Then finish the wall.



15. Remove the painter's tape and clean if necessary.



16. Affix the lens by gently snapping into place. Ensure it is fully seated. Turn on lights to check the LED tape is working properly.