

ALLOY LED® Specifications

Surfa® 2 Surface-Mount Fixture



Surfa 2 is ideal for general low-profile corner mounting of LED tape light so that it shines at a 45° angle from the surface. Surfa 2 corner connectors can be used to link channel section seamlessly around corners, while straight connectors can join straight sections of channel for longer runs. Surfa 2 is perfect for directional lighting.

- Thermally-balanced design for maximum cooling
- Channel covers protect LED tape light
- Diffuser covers provide smooth light diffusion with no hotspots
- Hot-spot free finished fixture with everything you need



SKU BUILDER

Recommended Hot-Spot Free Tape Light Combination

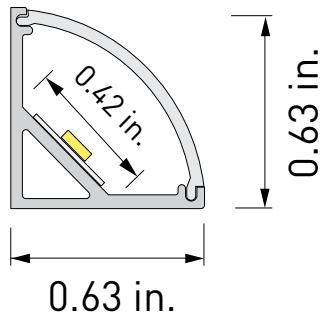
Channel Prefix	Location	Tape Model**	Voltage	CCT**	Lens	Finish	Length	# of Leads	Lead Length 1	Lead Length 2
AL-SFU-SURF2-	○ I - Indoor	White Light ○ PL2.7 - 200± lm/ft ○ PL2.5 - 300± lm/ft ○ PL5.5 - 450± lm/ft ○ PL7 - 700± lm/ft Dim-to-Warm ○ VAR2.7 - 232 lm/ft RGB ○ RGB4.2 - 211 lm/ft	24V	White Light ○ 2700K ○ 3000K ○ 3500K ○ 4200K Dim-to-Warm ○ 3000K-1800K RGB ○ RGB	○ FRT - Frosted ○ CLR - Clear	○ AL - Aluminum ○ BL - Black ○ WH - White	inches	○ 1LEAD ○ 2LEAD	inches	inches
	○ O - Outdoor	White Light ○ PL4.4XT - 350± lm/ft								

*For full list of compatible tape lights, see our hotspot guide: [HERE](#).

† Not all connectors fit and some tape lights need to be solder in the field. For full compatibility see our guide: [HERE](#).

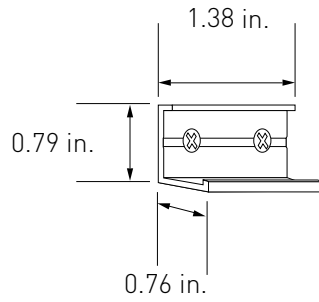
**Not all CCTs apply to all tape models and additional CCTs may be available. See individual tape light spec sheets for full list of CCT.

DIMENSIONS



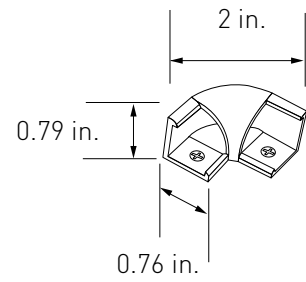
Note: Diagram not actual size

ACCESSORIES (SOLD SEPARATELY)



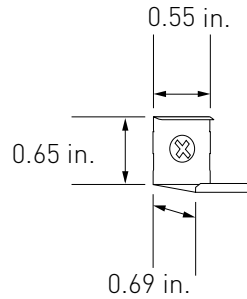
Straight Connector

AL-50-04-9992-SL - plastic
 AL-50-04-9923-BL - black plastic
 AL-50-04-9992-WHITE - white plastic



Corner Connector

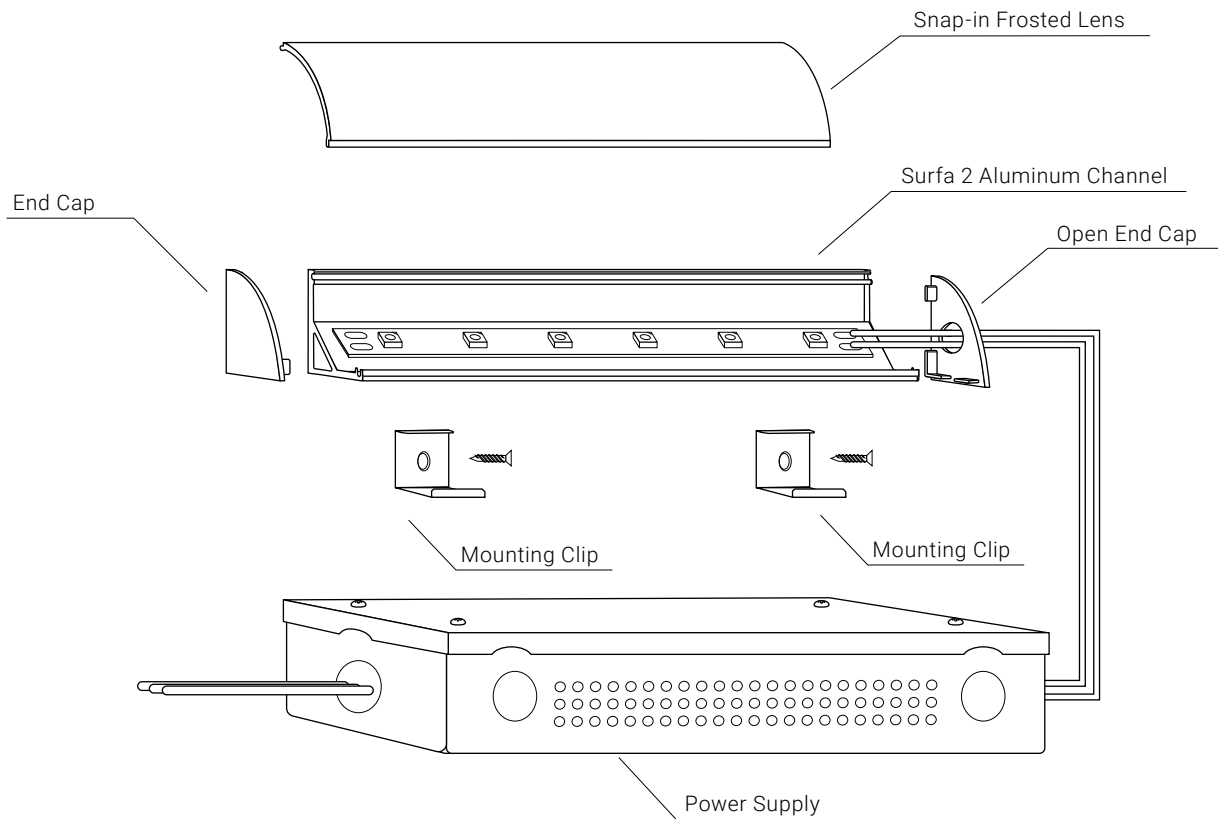
AL-50-04-9993-SL - plastic
 AL-50-04-9993-BL - black plastic
 AL-50-04-9993-WHITE - white plastic



Mounting Clip

AL-50-04-9986-WH - 5-pack
 1 mounting clip is recommended every 2 ft.
 Easily snap lens into mounted channel

COMPLETE SOLUTION



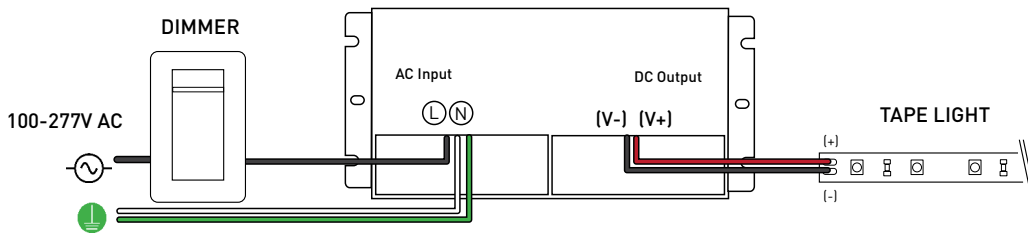
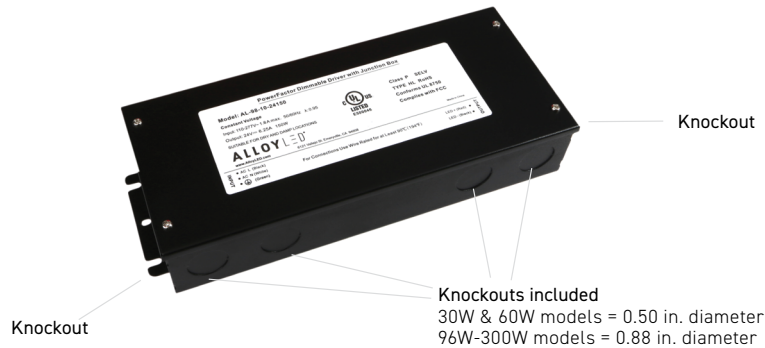
ALLOY LED[®] Specifications

RECOMMENDED POWER SUPPLIES (SOLD SEPARATELY)

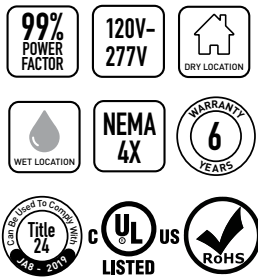


Alloy LED PowerFactor™ Dimmable Power Supplies with Integrated UL Listed Junction Box

Compact, highly efficient, and code-compliant power supply with versatile and smooth dimming capabilities.



Wiring diagram is for reference ONLY. Please refer to dimmer wiring specifications sheet for accurate directions.



Single Tap Models

Item Number	Output Voltage	Wattage	Wet Location	Minimum Load	Dimensions (L x W x H)	Class 2
AL-98-10-12030	12V DC	30W	Yes (NEMA 4X)	10%	6.50 x 3.72 x 1.02 in.	Yes
AL-98-10-12060	12V DC	60W	Yes (NEMA 4X)	10%	7.40 x 3.72 x 1.02 in.	Yes
AL-98-10-12120	12V DC	120W	Yes (NEMA 4X)	10%	8.66 x 3.72 x 1.57 in.	No
AL-98-10-24030	24V DC	30W	Yes (NEMA 4X)	10%	6.50 x 3.72 x 1.02 in.	Yes
AL-98-10-24060	24V DC	60W	Yes (NEMA 4X)	10%	7.40 x 3.72 x 1.02 in.	Yes
AL-98-10-24096	24V DC	96W	Yes (NEMA 4X)	10%	8.66 x 3.72 x 1.57 in.	Yes
AL-98-10-24150	24V DC	150W	Yes (NEMA 4X)	10%	10.24 x 4.13 x 1.77 in.	No
AL-98-10-24200	24V DC	200W	Yes (NEMA 4X)	10%	10.24 x 4.13 x 1.77 in.	No
AL-98-10-24300	24V DC	300W	Yes (NEMA 4X)	10%	10.94 x 4.33 x 1.77 in.	No

Class 2 Compliant Multi-Tap Models

Item Number	Output Voltage	Wattage	Wet Location	Minimum Load	Dimensions (L x W x H)	Class 2
AL-98-10-12300-MT	12V DC	300W	Yes (NEMA 4X)	10%	11.85 x 4.33 x 1.77 in.	Yes
AL-98-10-24192-MT	24V DC	192W	Yes (NEMA 4X)	10%	10.94 x 4.33 x 1.77 in.	Yes
AL-98-10-24288-MT	24V DC	288W	Yes (NEMA 4X)	10%	10.85 x 4.33 x 1.77 in.	Yes

Note: PowerFactor assumes 80% load.
 Inspectors prefer power supply to be used with junction box.
 For dimmer compatibility, refer to drivers specification sheet.

ALLOY LED[®] Specifications

RECOMMENDED POWER SUPPLIES (SOLD SEPARATELY)

Alloy LED's Silver Recommendation

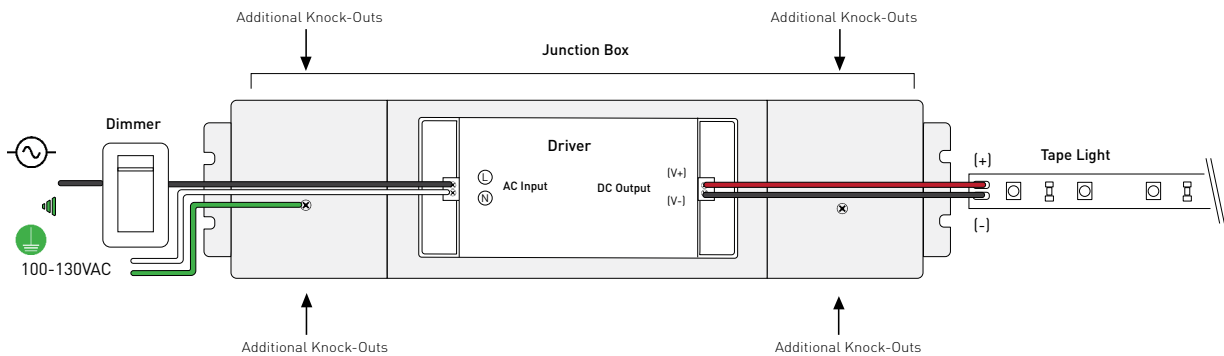
Alloy LED Primavolt[®] No Minimum Load Dimmable Power Supplies with ETL Listed Junction Box
Code-compliant power supply with versatile and smooth dimming capabilities. Compatible with ELV, MLV, and TRIAC dimmers.



Dry Location Model
White model for 60W and lower



Wet Location Model
Black model for 80W and higher



Wiring diagram is for reference ONLY. Please refer to dimmer wiring specifications sheet for accurate directions.



Item Number	Output Voltage	Wattage	Minimum Load	Dimensions (Junction box) (L x W x H)	Class 2
AL-98-03-12024-NM	12V DC	24W	0%	13.75 x 3.0 x 1.50 in.	Yes
AL-98-03-12048-NM	12V DC	48W	0%	13.75 x 3.0 x 1.50 in.	Yes
AL-98-03-12060-NM	12V DC	60W	0%	13.75 x 3.0 x 2.25 in.	Yes
AL-98-03-12080-NM	12V DC	80W	0%	15.0 x 3.0 x 2.25 in.	No
AL-98-03-12120-NM	12V DC	120W	0%	15.0 x 3.0 x 2.25 in.	No
AL-98-03-24024-NM	24V DC	24W	0%	13.75 x 3.0 x 1.50 in.	Yes
AL-98-03-24048-NM	24V DC	48W	0%	13.75 x 3.0 x 1.50 in.	Yes
AL-98-03-24060-NM	24V DC	60W	0%	13.75 x 3.0 x 2.25 in.	Yes
AL-98-03-24080-NM	24V DC	80W	0%	15.0 x 3.0 x 2.25 in.	Yes
AL-98-03-24096-NM	24V DC	96W	0%	15.0 x 3.0 x 2.25 in.	Yes
AL-98-03-24150-NM	24V DC	150W	0%	16.25 x 3.50 x 2.25 in.	No
AL-98-03-24200-NM	24V DC	200W	0%	16.25 x 3.50 x 2.25 in.	No

Note: Alloy LED strongly recommends using Listed Class 2 power supplies for all installations. Always install in accordance with local and national electrical code regulations. Inspectors prefer power supply to be used with junction box. For dimmer compatibility, refer to drivers specification sheet.

DIMMING ACCESSORIES (SOLD SEPARATELY)

Lutron[®] Dimming Accessories

By participating in Lutron's OEM Advantage program, Alloy LED is able to offer a range of the highest quality low voltage power supplies and selected controls on the market.



Hi-lume Premier
0.1% EcoSystem /
3-wire LED Driver
(96W 24VDC)



Hi-lume 1% LED Driver 40W
- EcoSystem / 3-wire control
- 2-wire 120V forward
phase control



Lutron Vive PowPak RF Module
- RF module for EcoSystem LED
driver control
- Use with the Lutron EcoSystem
drivers shown to "Vive-enable"
Alloy LED products

Lutron[®] Hi-lume LED Drivers

Item Number	Output	Wattage	Minimum Load	Class 2
AL-98-07-12040	12V DC	40W	N/A	Yes
AL-98-07-12040-3WIRE	12V DC	40W	N/A	Yes
AL-98-07-24040	24V DC	40W	N/A	Yes
AL-98-07-24040-3WIRE	24V DC	40W	N/A	Yes
AL-98-07-24096-3WIRE	24V DC	96W	N/A	Yes

Lutron[®] Controls

Item Number	Description	Voltage
AL-98-07-9901	EcoSystem Control Module	N/A
AL-98-07-9901-8	EcoSystem Control Module - 8 pack	N/A
AL-98-07-9950	CL Dimmer	120V AC
AL-98-07-9950-FPLATE	CL Dimmer faceplate	N/A

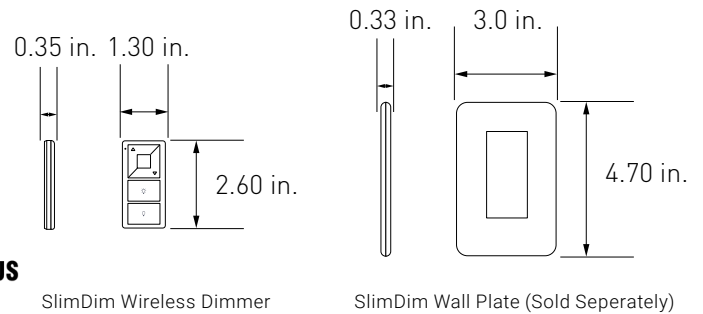
DIMMING ACCESSORIES (SOLD SEPARATELY)

Dimmers and Switches

SlimDim Wireless Dimmers

Using long-range RF technology, these LED dimmers connect wirelessly to a receiver, offering freedom to mount anywhere. Can also be used as a fob for mobile, hand-held control.

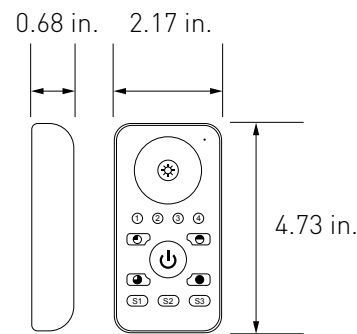
AL-70-01-0001	SlimDim Wireless Dimmer
AL-70-01-0002	Single Color Receiver (96W maximum) (Sold separately)
AL-98-07-9950-FPLATE	SlimDim Wall Plate (Sold separately)



Remote Control Dimmer Switch

Provides full dimming and on/off control, and includes a touch wheel that allows for direct visual selection of brightness. It can also operate up to four independent zones.

AL-60-03-0001	Remote Control Dimmer Switch
AL-70-01-0002	Single Channel Receiver (Sold separately)
AL-60-03-0004-V2	Wireless Receiver (RGB and RGBW) (Sold separately)

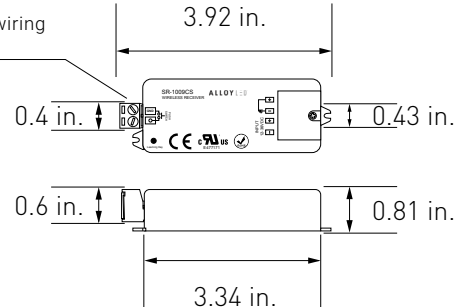


Single Channel Wireless Receiver

Pair with the Remote Control Dimmer Switch or the SlimDim Wireless Dimmer to dim PrimaLine tape lights. Use one remote to make independent lighting zones with multiple receivers with certain controllers.

AL-70-01-0002	Single Channel Wireless Receiver
---------------	----------------------------------

Terminal for hardwiring on/off switch



WIRING DIAGRAM

