

ALLOY LED® Specifications

Ankr® 4 In-Wall Fixture



Designed for mudding in to drywall, Ankr 4 features flanges that make for a seamless installation. A countersunk hole is pre-drilled in the bottom of the channel every 4 inches for screwing into studs, making installation flexible and easy. Ankr 4 can be mounted in drywall that is 1/2 in. or thicker without altering the studs, and is recommended for 5/8 in. or thicker drywall.

- Thermally-balanced design for maximum cooling
- Channel covers protect LED tape light
- Diffuser covers provide smooth light diffusion with no hotspots
- Hot-spot free finished fixture with everything you need



SKU BUILDER

Recommended Hot-Spot Free Tape Light Combination

| Channel Prefix | Location | Tape Model** | Voltage | CCT** | Lens | Finish | Length | # of Leads | Lead Length 1 | Lead Length 2 |
|----------------|---------------|---|---------|---|---|----------|--------|--------------------|---------------|---------------|
| AL-REC-ANKR4- | ○ I - Indoor | White Light ○ PL2.7 - 200± lm/ft ○ PL3‡ - 200± lm/ft ○ PL4.4 - 350± lm/ft ○ PL5.5 - 450± lm/ft ○ PL7 - 700± lm/ft Dim-to-Warm ○ VAR2.7 - 232 lm/ft ○ VAR8 - 747 lm/ft RGB ○ RGB4.2 - 211 lm/ft RGBW ○ RGBW4.7 - 229 lm/ft | 24V | White Light ○ 2700K ○ 3000K ○ 3500K ○ 4200K Dim-to-Warm ○ 3000K-1800K RGB ○ RGB RGBW ○ RGBW | ○ FRT - Frosted ○ CLR - Clear ○ PRM - Premium | Aluminum | inches | ○ 1LEAD ○ 2LEAD | inches | inches |
| | ○ O - Outdoor | White Light ○ PL3 - 200± lm/ft ○ PL4.4XT - 350± lm/ft RGB ○ RGB4.4 - 193 lm/ft | | | | | | | | |

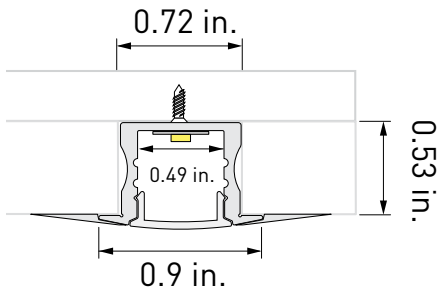
*For full list of compatible tape lights, see our hotspot guide: [HERE](#).

† Not all connectors fit and some tape lights need to be solder in the field. For full compatibility see our guide: [HERE](#).

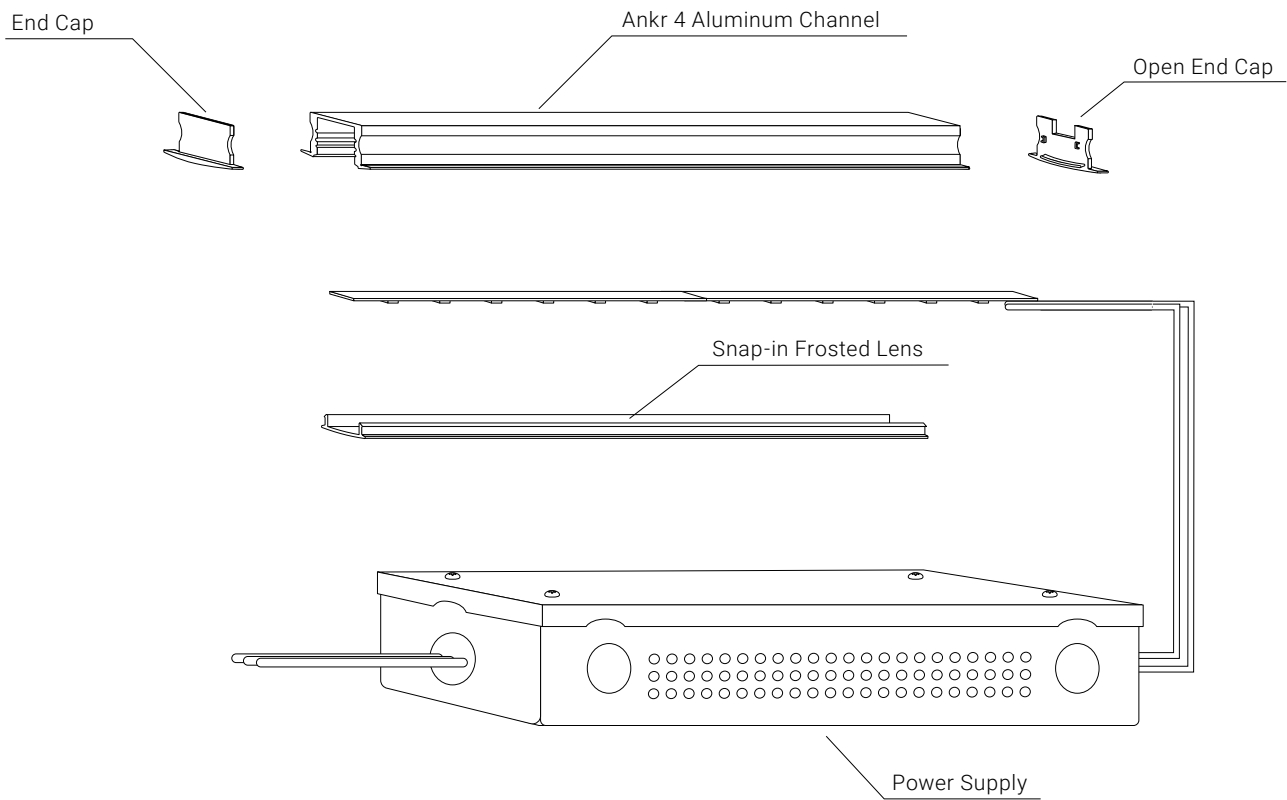
‡ 12V model available and compatible. Please contact us.

**Not all CCTs apply to all tape models and additional CCTs may be available. See individual tape light spec sheets for full list of CCT.

DIMENSIONS



COMPLETE SOLUTION



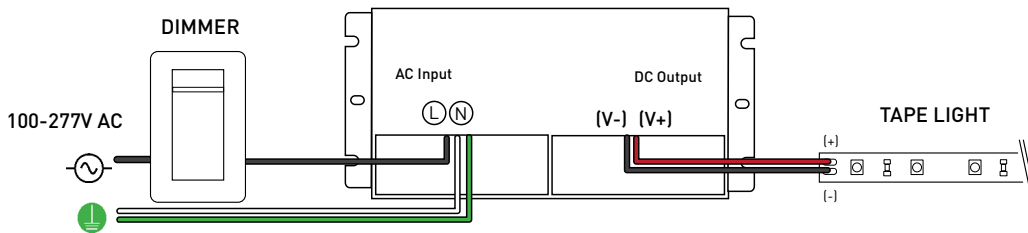
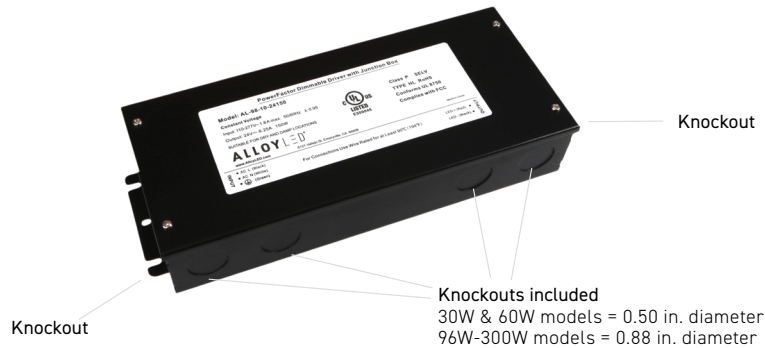
ALLOY LED[®] Specifications

RECOMMENDED POWER SUPPLIES (SOLD SEPARATELY)

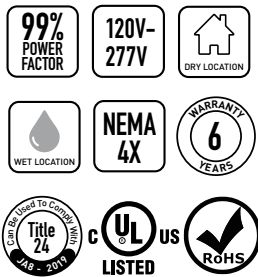


Alloy LED PowerFactor™ Dimmable Power Supplies with Integrated UL Listed Junction Box

Compact, highly efficient, and code-compliant power supply with versatile and smooth dimming capabilities.



Wiring diagram is for reference ONLY. Please refer to dimmer wiring specifications sheet for accurate directions.



Single Tap Models

| Item Number | Output Voltage | Wattage | Wet Location | Minimum Load | Dimensions (L x W x H) | Class 2 |
|----------------|----------------|---------|---------------|--------------|-------------------------|---------|
| AL-98-10-12030 | 12V DC | 30W | Yes (NEMA 4X) | 10% | 6.50 x 3.72 x 1.02 in. | Yes |
| AL-98-10-12060 | 12V DC | 60W | Yes (NEMA 4X) | 10% | 7.40 x 3.72 x 1.02 in. | Yes |
| AL-98-10-12120 | 12V DC | 120W | Yes (NEMA 4X) | 10% | 8.66 x 3.72 x 1.57 in. | No |
| AL-98-10-24030 | 24V DC | 30W | Yes (NEMA 4X) | 10% | 6.50 x 3.72 x 1.02 in. | Yes |
| AL-98-10-24060 | 24V DC | 60W | Yes (NEMA 4X) | 10% | 7.40 x 3.72 x 1.02 in. | Yes |
| AL-98-10-24096 | 24V DC | 96W | Yes (NEMA 4X) | 10% | 8.66 x 3.72 x 1.57 in. | Yes |
| AL-98-10-24150 | 24V DC | 150W | Yes (NEMA 4X) | 10% | 10.24 x 4.13 x 1.77 in. | No |
| AL-98-10-24200 | 24V DC | 200W | Yes (NEMA 4X) | 10% | 10.24 x 4.13 x 1.77 in. | No |
| AL-98-10-24300 | 24V DC | 300W | Yes (NEMA 4X) | 10% | 10.94 x 4.33 x 1.77 in. | No |

Class 2 Compliant Multi-Tap Models

| Item Number | Output Voltage | Wattage | Wet Location | Minimum Load | Dimensions (L x W x H) | Class 2 |
|-------------------|----------------|---------|---------------|--------------|-------------------------|---------|
| AL-98-10-12300-MT | 12V DC | 300W | Yes (NEMA 4X) | 10% | 11.85 x 4.33 x 1.77 in. | Yes |
| AL-98-10-24192-MT | 24V DC | 192W | Yes (NEMA 4X) | 10% | 10.94 x 4.33 x 1.77 in. | Yes |
| AL-98-10-24288-MT | 24V DC | 288W | Yes (NEMA 4X) | 10% | 10.85 x 4.33 x 1.77 in. | Yes |

Note: PowerFactor assumes 80% load.
 Inspectors prefer power supply to be used with junction box.
 For dimmer compatibility, refer to drivers specification sheet.

ALLOY LED[®] Specifications

RECOMMENDED POWER SUPPLIES (SOLD SEPARATELY)

Alloy LED's Silver Recommendation

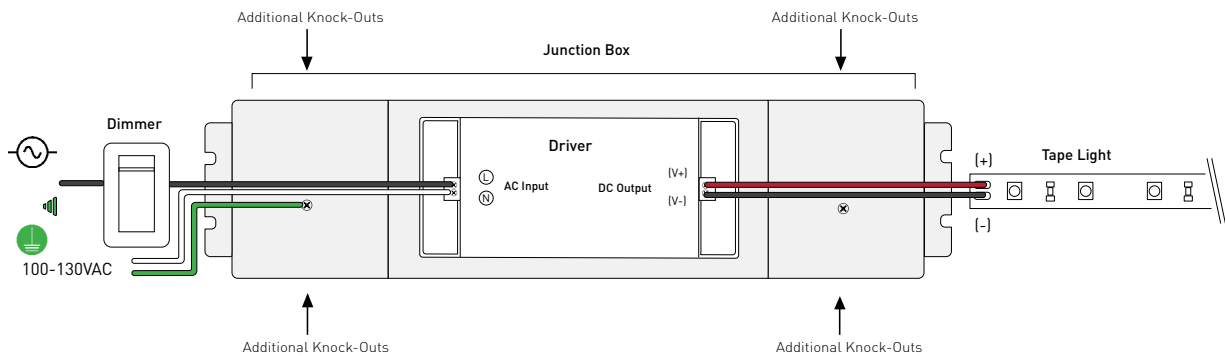
Alloy LED Primavolt[®] No Minimum Load Dimmable Power Supplies with ETL Listed Junction Box
Code-compliant power supply with versatile and smooth dimming capabilities. Compatible with ELV, MLV, and TRIAC dimmers.



Dry Location Model
White model for 60W and lower



Wet Location Model
Black model for 80W and higher



Wiring diagram is for reference ONLY. Please refer to dimmer wiring specifications sheet for accurate directions.



| Item Number | Output Voltage | Wattage | Minimum Load | Dimensions (Junction box) (L x W x H) | Class 2 |
|-------------------|----------------|---------|--------------|---------------------------------------|---------|
| AL-98-03-12024-NM | 12V DC | 24W | 0% | 13.75 x 3.0 x 1.50 in. | Yes |
| AL-98-03-12048-NM | 12V DC | 48W | 0% | 13.75 x 3.0 x 1.50 in. | Yes |
| AL-98-03-12060-NM | 12V DC | 60W | 0% | 13.75 x 3.0 x 2.25 in. | Yes |
| AL-98-03-12080-NM | 12V DC | 80W | 0% | 15.0 x 3.0 x 2.25 in. | No |
| AL-98-03-12120-NM | 12V DC | 120W | 0% | 15.0 x 3.0 x 2.25 in. | No |
| AL-98-03-24024-NM | 24V DC | 24W | 0% | 13.75 x 3.0 x 1.50 in. | Yes |
| AL-98-03-24048-NM | 24V DC | 48W | 0% | 13.75 x 3.0 x 1.50 in. | Yes |
| AL-98-03-24060-NM | 24V DC | 60W | 0% | 13.75 x 3.0 x 2.25 in. | Yes |
| AL-98-03-24080-NM | 24V DC | 80W | 0% | 15.0 x 3.0 x 2.25 in. | Yes |
| AL-98-03-24096-NM | 24V DC | 96W | 0% | 15.0 x 3.0 x 2.25 in. | Yes |
| AL-98-03-24150-NM | 24V DC | 150W | 0% | 16.25 x 3.50 x 2.25 in. | No |
| AL-98-03-24200-NM | 24V DC | 200W | 0% | 16.25 x 3.50 x 2.25 in. | No |

Note: Alloy LED strongly recommends using Listed Class 2 power supplies for all installations. Always install in accordance with local and national electrical code regulations. Inspectors prefer power supply to be used with junction box. For dimmer compatibility, refer to drivers specification sheet.

DIMMING ACCESSORIES (SOLD SEPARATELY)

Lutron[®] Dimming Accessories

By participating in Lutron's OEM Advantage program, Alloy LED is able to offer a range of the highest quality low voltage power supplies and selected controls on the market.



Hi-lume Premier
0.1% EcoSystem /
3-wire LED Driver
(96W 24VDC)



Hi-lume 1% LED Driver 40W
- EcoSystem / 3-wire control
- 2-wire 120V forward
phase control



Lutron Vive PowPak RF Module
- RF module for EcoSystem LED
driver control
- Use with the Lutron EcoSystem
drivers shown to "Vive-enable"
Alloy LED products

Lutron[®] Hi-lume LED Drivers

| Item Number | Output | Wattage | Minimum Load | Class 2 |
|----------------------|--------|---------|--------------|---------|
| AL-98-07-12040 | 12V DC | 40W | N/A | Yes |
| AL-98-07-12040-3WIRE | 12V DC | 40W | N/A | Yes |
| AL-98-07-24040 | 24V DC | 40W | N/A | Yes |
| AL-98-07-24040-3WIRE | 24V DC | 40W | N/A | Yes |
| AL-98-07-24096-3WIRE | 24V DC | 96W | N/A | Yes |

Lutron[®] Controls

| Item Number | Description | Voltage |
|----------------------|-----------------------------------|---------|
| AL-98-07-9901 | EcoSystem Control Module | N/A |
| AL-98-07-9901-8 | EcoSystem Control Module - 8 pack | N/A |
| AL-98-07-9950 | CL Dimmer | 120V AC |
| AL-98-07-9950-FPLATE | CL Dimmer faceplate | N/A |

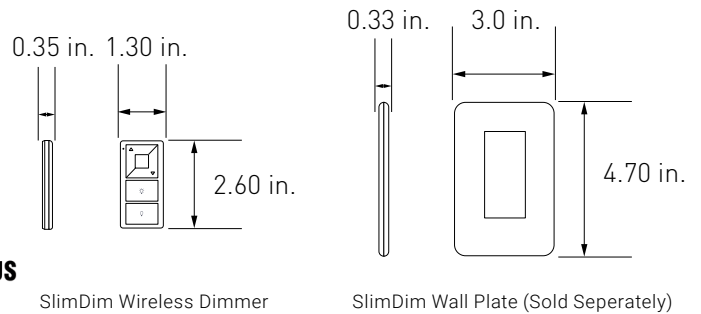
DIMMING ACCESSORIES (SOLD SEPARATELY)

Dimmers and Switches

SlimDim Wireless Dimmers

Using long-range RF technology, these LED dimmers connect wirelessly to a receiver, offering freedom to mount anywhere. Can also be used as a fob for mobile, hand-held control.

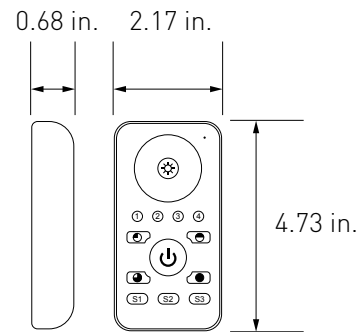
| | |
|----------------------|---|
| AL-70-01-0001 | SlimDim Wireless Dimmer |
| AL-70-01-0002 | Single Color Receiver (96W maximum) (Sold separately) |
| AL-98-07-9950-FPLATE | SlimDim Wall Plate (Sold separately) |



Remote Control Dimmer Switch

Provides full dimming and on/off control, and includes a touch wheel that allows for direct visual selection of brightness. It can also operate up to four independent zones.

| | |
|------------------|--|
| AL-60-03-0001 | Remote Control Dimmer Switch |
| AL-70-01-0002 | Single Channel Receiver (Sold separately) |
| AL-60-03-0004-V2 | Wireless Receiver (RGB and RGBW) (Sold separately) |

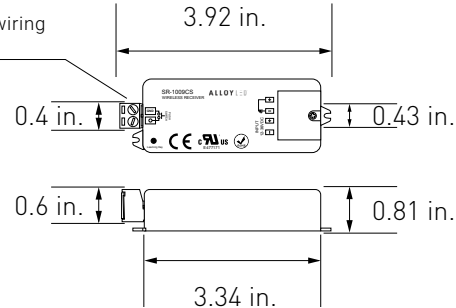


Single Channel Wireless Receiver

Pair with the Remote Control Dimmer Switch or the SlimDim Wireless Dimmer to dim PrimaLine tape lights. Use one remote to make independent lighting zones with multiple receivers with certain controllers.

| | |
|---------------|----------------------------------|
| AL-70-01-0002 | Single Channel Wireless Receiver |
|---------------|----------------------------------|

Terminal for hardwiring on/off switch



WIRING DIAGRAM

