

# Surfa® 2X Surface Mount Channel



Surfa 2X is a larger version of Surfa 2, and enables mounting of LED tape light so that it shines at a 45 angle. Surfa 2X also provides a hotspot-free, even line of lighting. Corner connectors are used to link channels around corners; straight connectors can join sections for long runs.

- Thermally-balanced design for maximum cooling
- Channel covers protect LED tape light
- Diffuser covers provide smooth light diffusion with no hotspots
- Full range of accessories for a great-looking installation
- Complete kits available to create a finished fixture



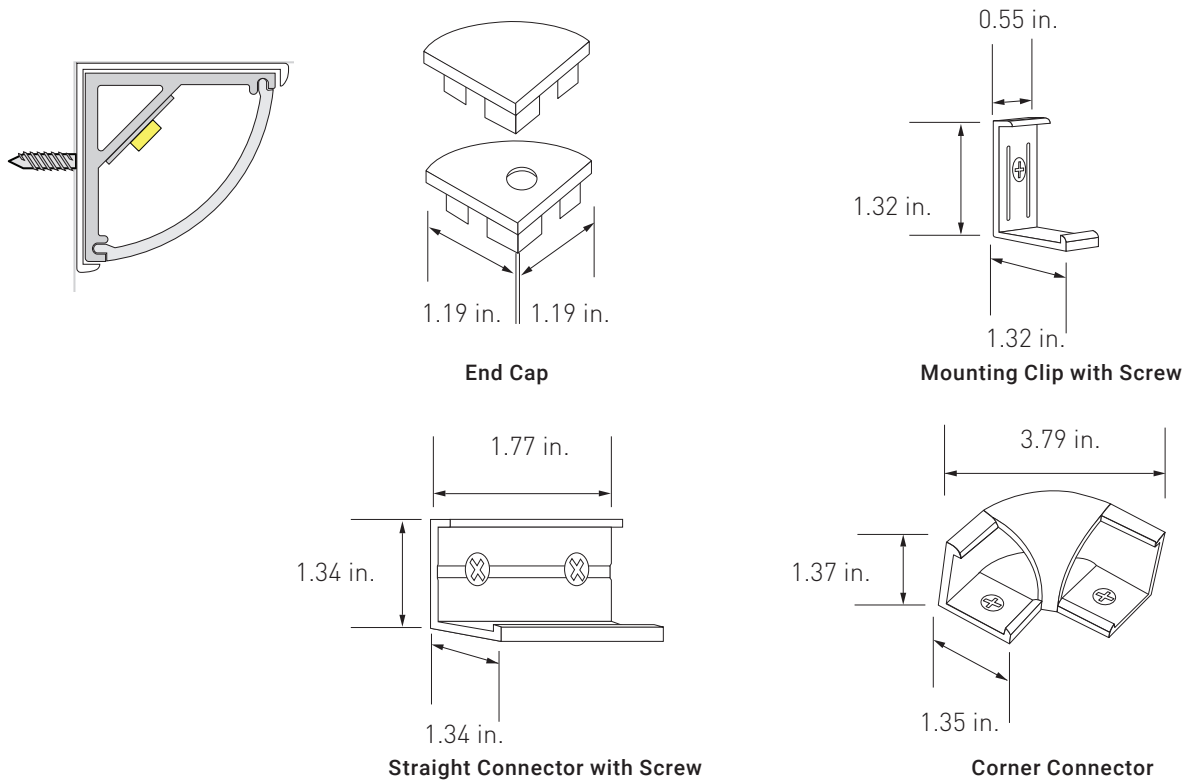
## PRODUCT INFORMATION

Item Number	Description
AL-50-15-0111-KIT*	4 ft. kit: includes 1 channel, 1 diffuser cover, 2 pair pack of plastic end caps, 5 mounting clips/screws
AL-50-15-0115-KIT*	7 ft. kit: includes 1 channel, 1 diffuser cover, 4 pair pack of plastic end caps, 9 mounting clips/screws
AL-50-15-0011-AL-PART	Channel - 4 ft. - aluminum finish
AL-50-15-0015-AL-PART	Channel - 7 ft. - aluminum finish
AL-50-15-9902-FRT	Diffuser cover - 4 ft.
AL-50-15-9905-FRT	Diffuser cover - 7 ft.
AL-50-15-9912-CLR	Clear cover - 4 ft.
AL-50-15-9915-CLR	Clear cover - 7 ft.
AL-50-15-9951-SL	Plastic color-matched end caps 2 pair pack: 2 open, 2 closed
AL-50-15-9956-SL	Plastic color-matched end caps 10 pair pack: 10 open, 10 closed
AL-50-15-9986-WH	Mounting clips/screws - 5-pack
AL-50-15-9992-SL	Straight connector - plastic
AL-50-15-9993-SL	Corner connector - plastic

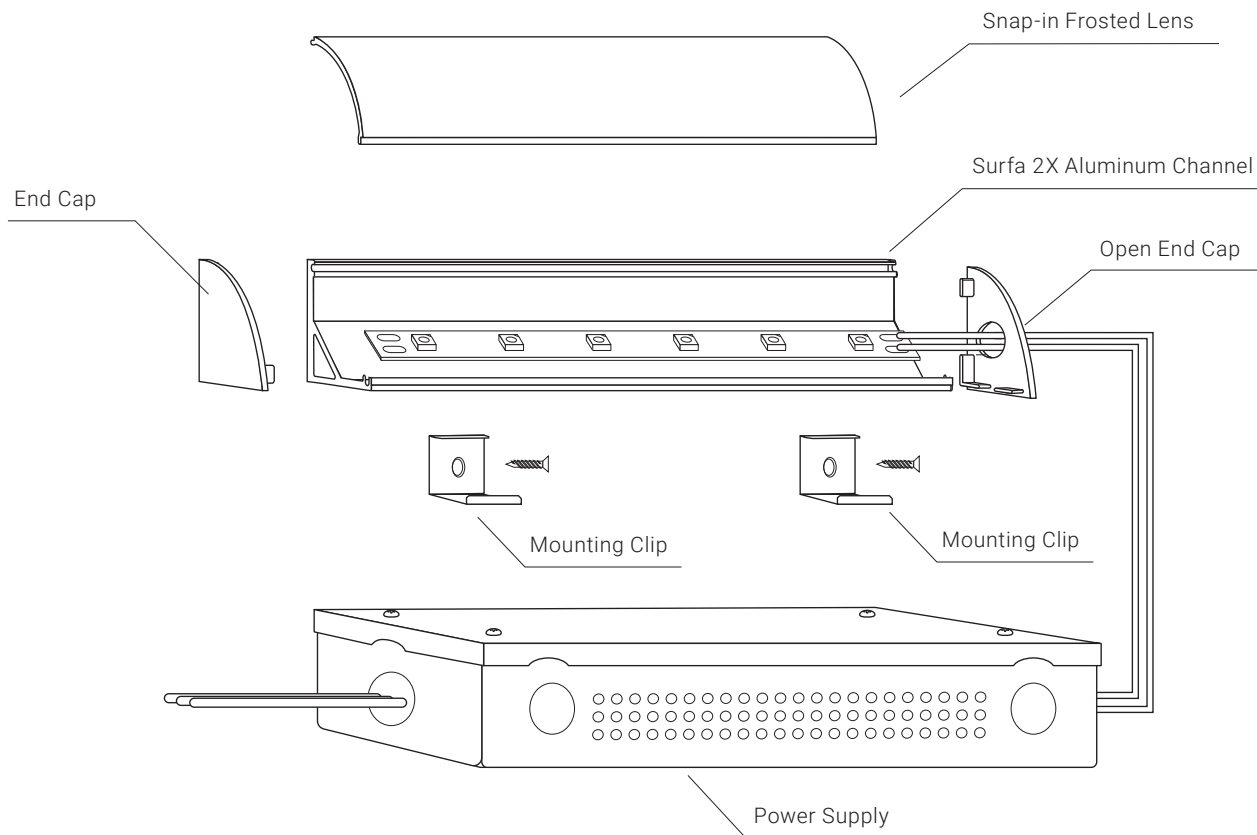
\*Add -10 or -20 to the end of the Item Number for discounted bundles.

This channel is compatible with selected tape light models only, see the "Continua Channel and Tape Light Compatibility Chart" PDF on the Resources page on our website for information.

## DIMENSIONS



## COMPLETE SOLUTION



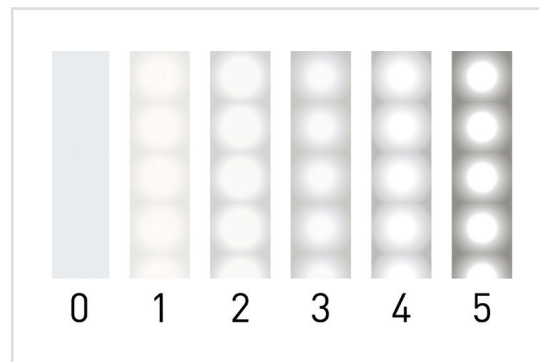
## SURFA 2X AND TAPE LIGHT HOTSPOT AND COMPATIBILITY GUIDE

Tape Light	Wire conn.	AmpChamp	Hotspot
PrimaLine® 1.5	Y	Y	0
PrimaLine 1.5 XT	Y	Y	0
PrimaLine 2.5 COB		Y	0
PrimaLine 2.7 LP	S	Y	0
PrimaLine 3	Y	Y	0
PrimaLine 3 XT	Y	Y	0
PrimaLine 4.4 Gen 2	Y	Y	0
PrimaLine 4.4 XT Gen 2	Y	Y	0
PrimaLine 5.5 LP	Y	Y	0
PrimaLine 6.6 Gen 2	Y		0
PrimaLine 7	S	Y	0
PrimaLine 8 Gen 2		S	0
Varien™ 5.5 Dim-to-Warm	S	Y	0
Radialux® 2.2 RGB	Y		2
Radialux 4.2 COB RGB			0
Radialux 4.4 RGB	Y		0
Radialux 4.4 RGBW	Y		0
Radialux 4.7 LP RGBW		S	0
Radialux 5.9 RGBW	Y		0
Radialux 8.8 RGB		S	0
PrimaLine 1.5 Wet	Y		0
PrimaLine 1.5 XT Wet	Y		1
PrimaLine 3 Wet	Y		0
PrimaLine 3 XT Wet	Y		0
PrimaLine 4.4 XT Gen 2 Wet	Y		0
Radialux 2.2 RGB Wet	Y		2
Radialux 4.4 RGB Wet	Y		1
Radialux 4.4 RGBW Wet	Y		1
Radialux 5.9 RGBW Wet	Y		0

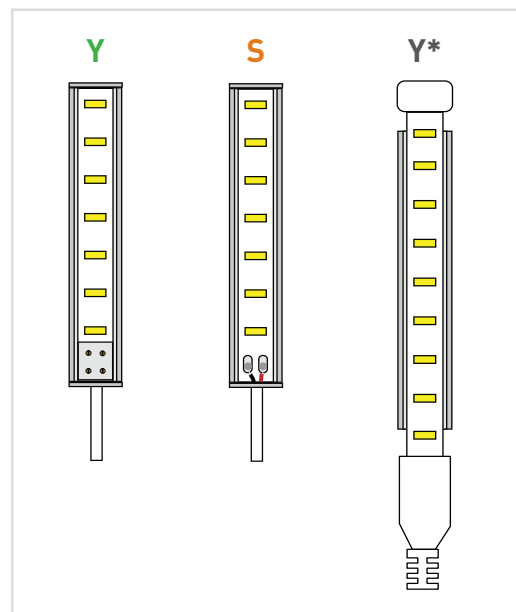
### Chart Key

- Y** Tape, channel, and connector fit
- Y\*** (Wet Tape Only) Tape light end caps do not fit
- S** (Dry Tape Only) Connector does not fit in channel / leads should be soldered
- Does not fit width and /or height

### Hotspot Values



### Compatibility Visual Key



# ALLOY LED® Specifications

## RECOMMENDED TAPE LIGHT (SOLD SEPARATELY)

### Medium Output

PrimaLine 3 XT LED Tape Light



24V DC		Maximum Run = 40'		Class 2 Maximum Run = 32'	
20 ft. Spool	40 ft. Spool	Color Temperature*	Lumens / Foot	CRI	
AL-01-05-2401	AL-01-05-2421	2700K	207	98	
AL-01-05-2402	AL-01-05-2422	3000K	234	98	
AL-01-05-2403	AL-01-05-2423	4200K	240	96	
AL-01-05-2404	AL-01-05-2424	5000K	244	96	
AL-01-05-2408	AL-01-05-2428	3500K	191	97	

### High Output

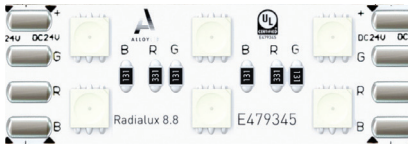
PrimaLine 4.4 Gen 2 LED Tape Light



24V DC		Maximum Run = 26'		Class 2 Maximum Run = 21'		
26 ft. Spool	50 ft. Spool	100 ft. Spool	Color Temperature*	Lumens / Foot	CRI	
AL-01-15-2401	AL-01-15-2421	AL-01-15-2441	2700K	294	97	
AL-01-15-2402	AL-01-15-2422	AL-01-15-2442	3000K	347	96	
AL-01-15-2403	AL-01-15-2423	AL-01-15-2443	4200K	361	97	
AL-01-15-2404	AL-01-15-2424	AL-01-15-2444	5000K	379	95	

### Super High Output

Radialux 8.8 RGB LED Tape Light



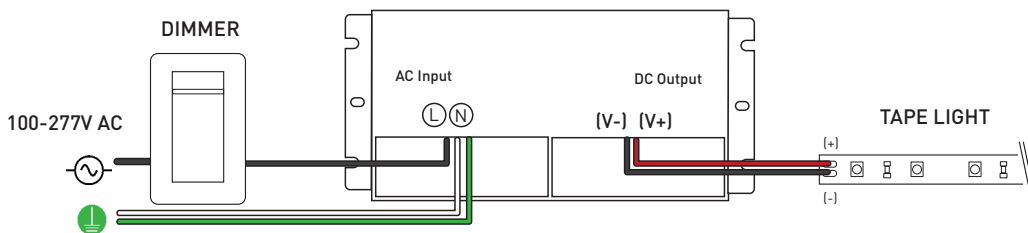
24V DC	Maximum Run = 20'	Class 2 Maximum Run = 10.9'
Item Number	Spool Length	Watts / Foot
AL-02-13-2401	8 ft.	8.8W
AL-02-13-2421	20 ft.	8.8W

# ALLOY LED® Specifications

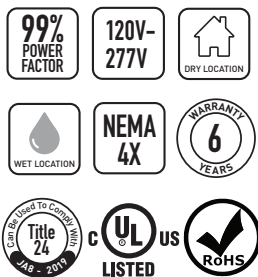
## RECOMMENDED POWER SUPPLIES (SOLD SEPARATELY)



Alloy LED PowerFactor™ Dimmable Power Supplies with Integrated UL Listed Junction Box  
Compact, highly efficient, and code-compliant power supply with versatile and smooth dimming capabilities.



Wiring diagram is for reference ONLY. Please refer to dimmer wiring specifications sheet for accurate directions.



### Single Tap Models

Item Number	Output Voltage	Wattage	Wet Location	Minimum Load	Dimensions (L x W x H)	Class 2
AL-98-10-12030	12V DC	30W	Yes (NEMA 4X)	10%	6.50 x 3.72 x 1.02 in.	Yes
AL-98-10-12060	12V DC	60W	Yes (NEMA 4X)	10%	7.40 x 3.72 x 1.02 in.	Yes
AL-98-10-12120	12V DC	120W	Yes (NEMA 4X)	10%	8.66 x 3.72 x 1.57 in.	No
AL-98-10-24030	24V DC	30W	Yes (NEMA 4X)	10%	6.50 x 3.72 x 1.02 in.	Yes
AL-98-10-24060	24V DC	60W	Yes (NEMA 4X)	10%	7.40 x 3.72 x 1.02 in.	Yes
AL-98-10-24096	24V DC	96W	Yes (NEMA 4X)	10%	8.66 x 3.72 x 1.57 in.	Yes
AL-98-10-24150	24V DC	150W	Yes (NEMA 4X)	10%	10.24 x 4.13 x 1.77 in.	No
AL-98-10-24200	24V DC	200W	Yes (NEMA 4X)	10%	10.24 x 4.13 x 1.77 in.	No
AL-98-10-24300	24V DC	300W	Yes (NEMA 4X)	10%	10.94 x 4.33 x 1.77 in.	No

### Class 2 Compliant Multi-Tap Models

Item Number	Output Voltage	Wattage	Wet Location	Minimum Load	Dimensions (L x W x H)	Class 2
AL-98-10-12300-MT	12V DC	300W	Yes (NEMA 4X)	10%	11.85 x 4.33 x 1.77 in.	Yes
AL-98-10-24192-MT	24V DC	192W	Yes (NEMA 4X)	10%	10.94 x 4.33 x 1.77 in.	Yes
AL-98-10-24288-MT	24V DC	288W	Yes (NEMA 4X)	10%	10.85 x 4.33 x 1.77 in.	Yes

Note: PowerFactor assumes 80% load.  
Inspectors prefer power supply to be used with junction box.  
For dimmer compatibility, refer to drivers specification sheet.

# ALLOY LED® Specifications

## RECOMMENDED POWER SUPPLIES (SOLD SEPARATELY)

### Alloy LED's Silver Recommendation

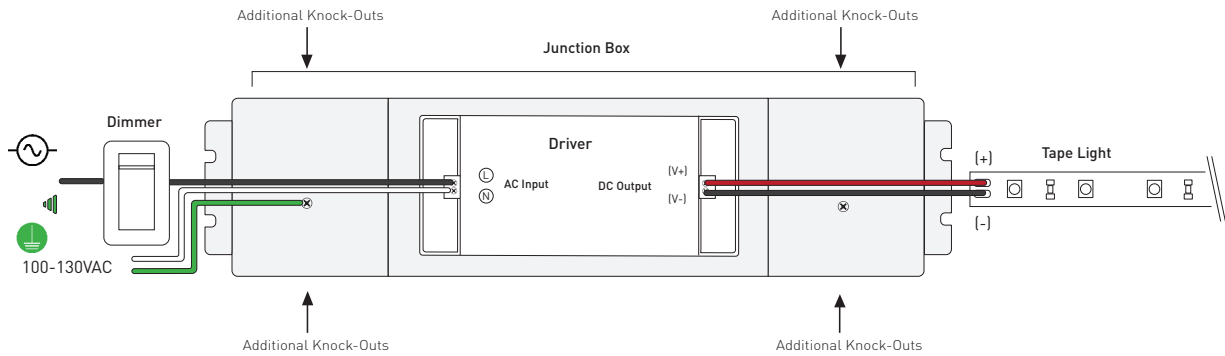
Alloy LED Primavolt® No Minimum Load Dimmable Power Supplies with ETL Listed Junction Box Code-compliant power supply with versatile and smooth dimming capabilities. Compatible with ELV, MLV, and TRIAC dimmers.



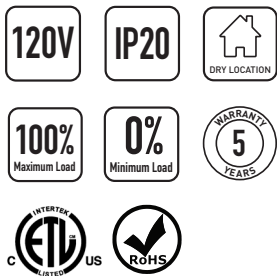
Dry Location Model  
White model for 60W and lower



Wet Location Model  
Black model for 80W and higher



Wiring diagram is for reference ONLY. Please refer to dimmer wiring specifications sheet for accurate directions.



Item Number	Output Voltage	Wattage	Minimum Load	Dimensions (Junction box) (L x W x H)	Class 2
AL-98-03-12024-NM	12V DC	24W	0%	13.75 x 3.0 x 1.50 in.	Yes
AL-98-03-12048-NM	12V DC	48W	0%	13.75 x 3.0 x 1.50 in.	Yes
AL-98-03-12060-NM	12V DC	60W	0%	13.75 x 3.0 x 2.25 in.	Yes
AL-98-03-12080-NM	12V DC	80W	0%	15.0 x 3.0 x 2.25 in.	No
AL-98-03-12120-NM	12V DC	120W	0%	15.0 x 3.0 x 2.25 in.	No
AL-98-03-24024-NM	24V DC	24W	0%	13.75 x 3.0 x 1.50 in.	Yes
AL-98-03-24048-NM	24V DC	48W	0%	13.75 x 3.0 x 1.50 in.	Yes
AL-98-03-24060-NM	24V DC	60W	0%	13.75 x 3.0 x 2.25 in.	Yes
AL-98-03-24080-NM	24V DC	80W	0%	15.0 x 3.0 x 2.25 in.	Yes
AL-98-03-24096-NM	24V DC	96W	0%	15.0 x 3.0 x 2.25 in.	Yes
AL-98-03-24150-NM	24V DC	150W	0%	16.25 x 3.50 x 2.25 in.	No
AL-98-03-24200-NM	24V DC	200W	0%	16.25 x 3.50 x 2.25 in.	No

Note: Alloy LED strongly recommends using Listed Class 2 power supplies for all installations. Always install in accordance with local and national electrical code regulations. Inspectors prefer power supply to be used with junction box. For dimmer compatibility, refer to drivers specification sheet.

# ALLOY LED® Specifications

## DIMMING ACCESSORIES (SOLD SEPARATELY)

### Lutron® Dimming Accessories

By participating in Lutron's OEM Advantage program, Alloy LED is able to offer a range of the highest quality low voltage power supplies and selected controls on the market.



Hi-lume Premier  
0.1% EcoSystem /  
3-wire LED Driver  
(96W 24VDC)



Hi-lume 1% LED Driver 40W  
- EcoSystem / 3-wire control  
- 2-wire 120V forward  
phase control



Lutron Vive PowPak RF Module  
- RF module for EcoSystem LED  
driver control  
- Use with the Lutron EcoSystem  
drivers shown to "Vive-enable"  
Alloy LED products

### Lutron® Hi-lume LED Drivers

Item Number	Output	Wattage	Minimum Load	Class 2
AL-98-07-12040	12V DC	40W	N/A	Yes
AL-98-07-12040-3WIRE	12V DC	40W	N/A	Yes
AL-98-07-24040	24V DC	40W	N/A	Yes
AL-98-07-24040-3WIRE	24V DC	40W	N/A	Yes
AL-98-07-24096-3WIRE	24V DC	96W	N/A	Yes

### Lutron® Controls

Item Number	Description	Voltage
AL-98-07-9901	EcoSystem Control Module	N/A
AL-98-07-9901-8	EcoSystem Control Module - 8 pack	N/A
AL-98-07-9950	CL Dimmer	120V AC
AL-98-07-9950-FPLATE	CL Dimmer faceplate	N/A

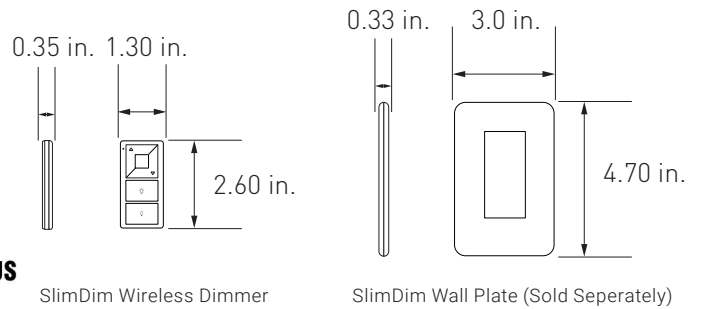
## DIMMING ACCESSORIES (SOLD SEPARATELY)

### Dimmers and Switches

#### SlimDim Wireless Dimmers

Using long-range RF technology, these LED dimmers connect wirelessly to a receiver, offering freedom to mount anywhere. Can also be used as a fob for mobile, hand-held control.

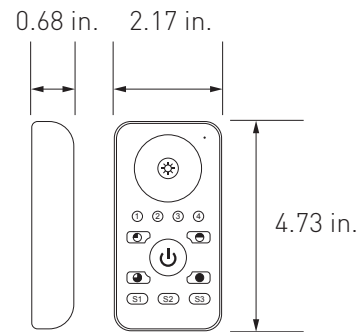
AL-70-01-0001	SlimDim Wireless Dimmer
AL-70-01-0002	Single Color Receiver (96W maximum) (Sold separately)
AL-98-07-9950-FPLATE	SlimDim Wall Plate (Sold separately)



#### Remote Control Dimmer Switch

Provides full dimming and on/off control, and includes a touch wheel that allows for direct visual selection of brightness. It can also operate up to four independent zones.

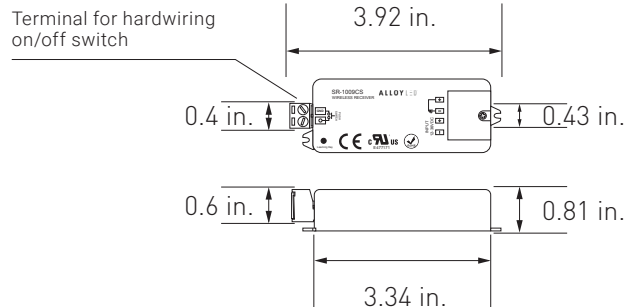
AL-60-03-0001	Remote Control Dimmer Switch
AL-70-01-0002	Single Channel Receiver (Sold separately)
AL-60-03-0004-V2	Wireless Receiver (RGB and RGBW) (Sold separately)



#### Single Channel Wireless Receiver

Pair with the Remote Control Dimmer Switch or the SlimDim Wireless Dimmer to dim Primaline tape lights. Use one remote to make independent lighting zones with multiple receivers with certain controllers.

AL-70-01-0002	Single Channel Wireless Receiver
---------------	----------------------------------



## WIRING DIAGRAM

